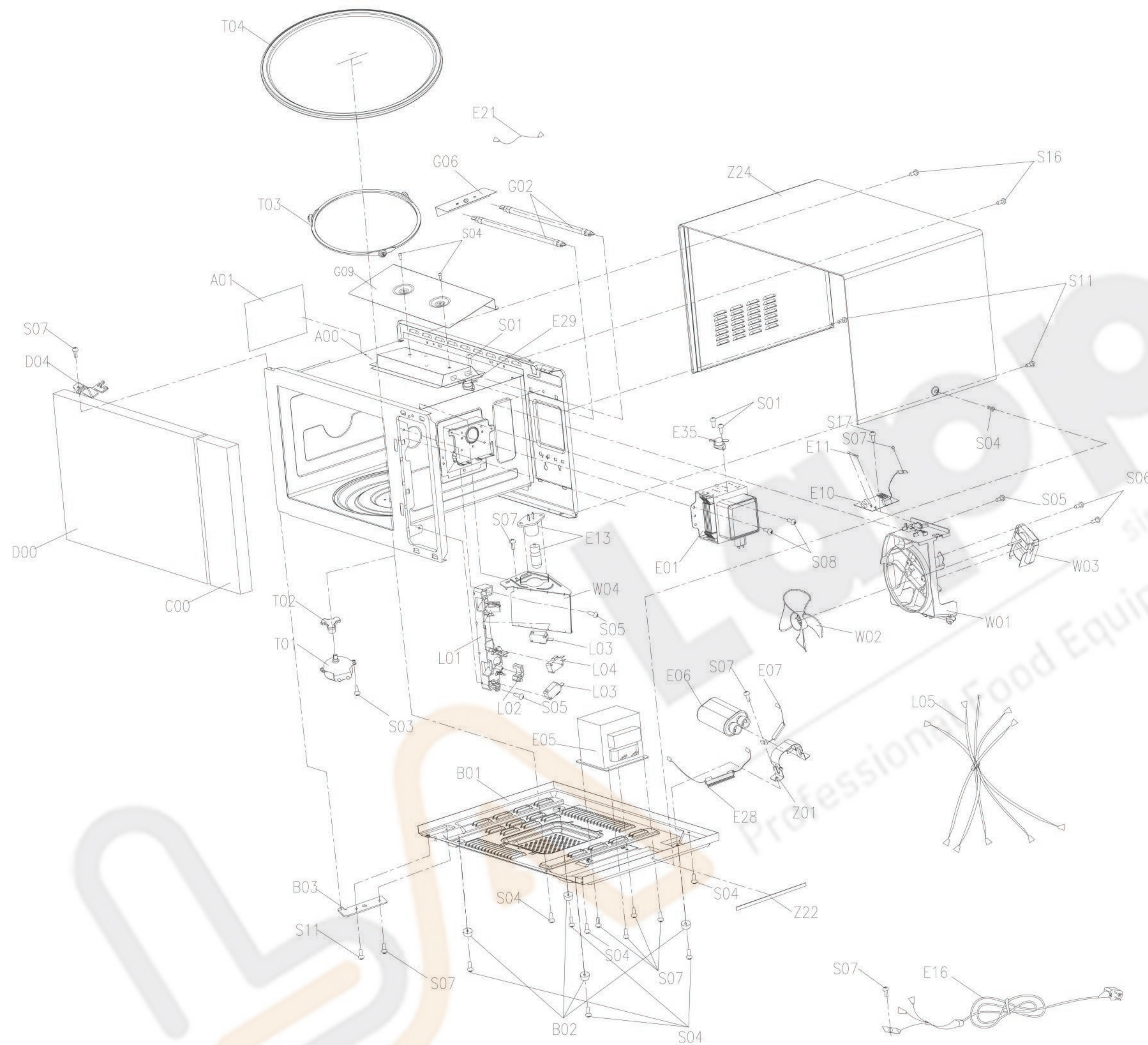


S25	SCREW 4*36	2	S02	SCREW ST3*8PBHC	7
D17	RUBBER	2	C35	SUB PCB	1
D16	HOLDER HANDLE	2	C20	BUTTON	1
D14	HANDLE	1	C18	PCB ASS'Y	1
D11	LOWER DOOR DECORATION	1	C14	DISPLAY WINDOW	1
D10	UPPER DOOR DECORATION	1	C10	DIAL KNOB	1
D08	DOOR GASKET	1	C02	CONTROL PANEL DECORATION	1
D07	DOOR PANEL	1	C01	CONTROL PANEL	1
D06	DOOR SCREEN	1	C00	CONTROL PANEL ASS'Y	1
D05	DOOR INNER FILM	1			
D04	UPPER HINGE	1			
D03	LATCH SPRING	1			
D02	LATCH	1			
D01	DOOR FRAME ASS'Y	1			
D00	DOOR	1			
No.	Part Name	Qty.	No.	Part Name	Qty.

Model



Z24	Case Out	1		
Z22	Sponge	1		
Z01	Holder H.V.C	1		
W04	Guide Wind	1		
W03	Motor Fan	1		
W02	Fan	1		
W01	Guide Fan	1		
T04	Tray	1		
T03	Ring Rotating Ass'y	1		
T02	Coupler	1		
T01	Motor Tray	1		
S17	Screw ST3*10PWTHC	1		
S16	Screw ST4*10TDB	2		
S11	Screw CT4*10TBHC	3		
S08	Screw CT4*10HwBHC	2		
S07	Screw CT4*8TBHC	10		
S06	Screw ST4*20TBHC	2		
S05	Screw ST4*12PwBHC	3		
S04	Screw ST4*10TBHC	10		
S03	Screw ST4*8PBHC	1		
S01	Screw ST3*8BBHC	3		
L05	Harness Main	1		
L04	Microswitch Monitor	1		
L03	Microswitch Interlock	2		
L02	Lever Switch	1		
L01	Board Latch	1		
G09	Insulator Heat *T	1		
G06	Brkt Light Heater	1		
G02	Heater Quartz	2		
E35	Thermostat 160/95 *V	1		
E29	Thermostat 70/59 *H	1		
E28	Ass'y H.V.Fuse	1		
E16	Power Cord Ass'y	1		
E13	Lamp	1		
E11	Fuse	1		
E10	Filter Noise	1		
E07	H.V.Diode	1		
E06	H.V.Capacitor	1		
E05	H.V.Transformer	1		
E01	Magnetron	1		
D04	Ass'y Brkt Hinge *T	1		
D00	Ass'y Door	1		
C00	Ass'y C/Panel	1		
B03	Ass'y Brkt Hinge *U	1		
B02	Leg	4		
B01	Base Plate	1		
A01	Cover Wave Guide	1		
A00	Ass'y Cavity	1		
No.	Part Name	Qty.	Material	Remark