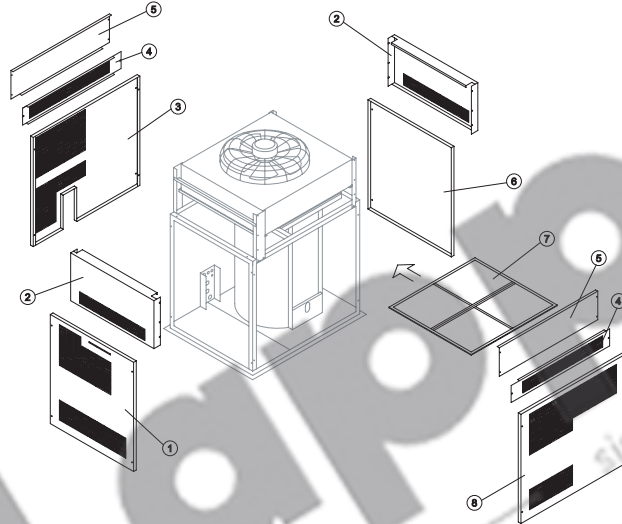




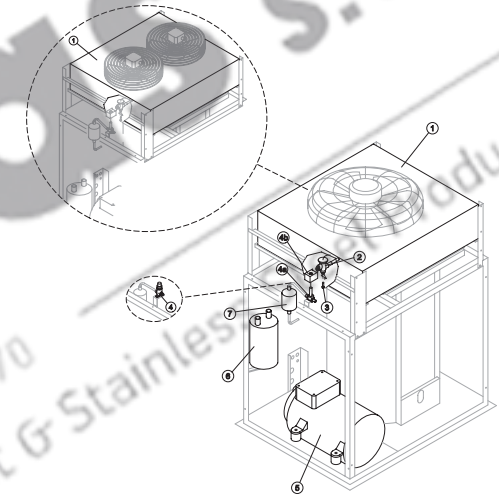
SM 4500

LIST OF THE EXPLODED VIEWS

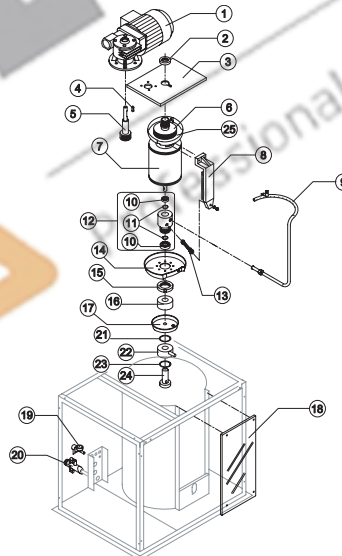
SHELL ASSY



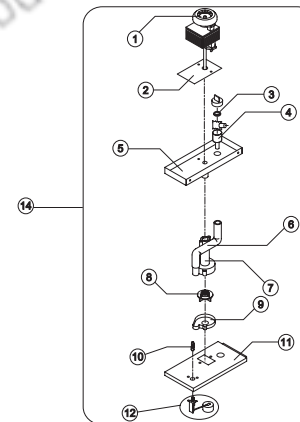
COOLING SYSTEM



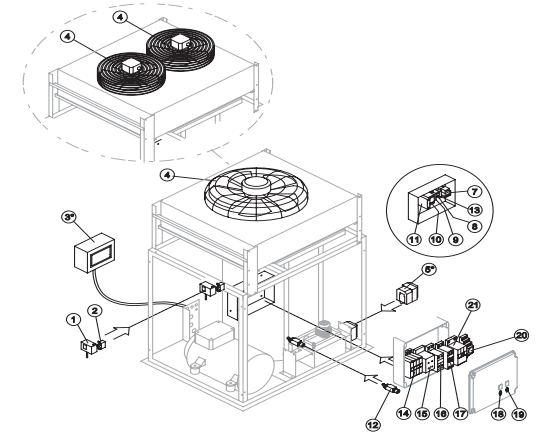
EVAPORATOR



PUMP



ELECTRIC PARTS



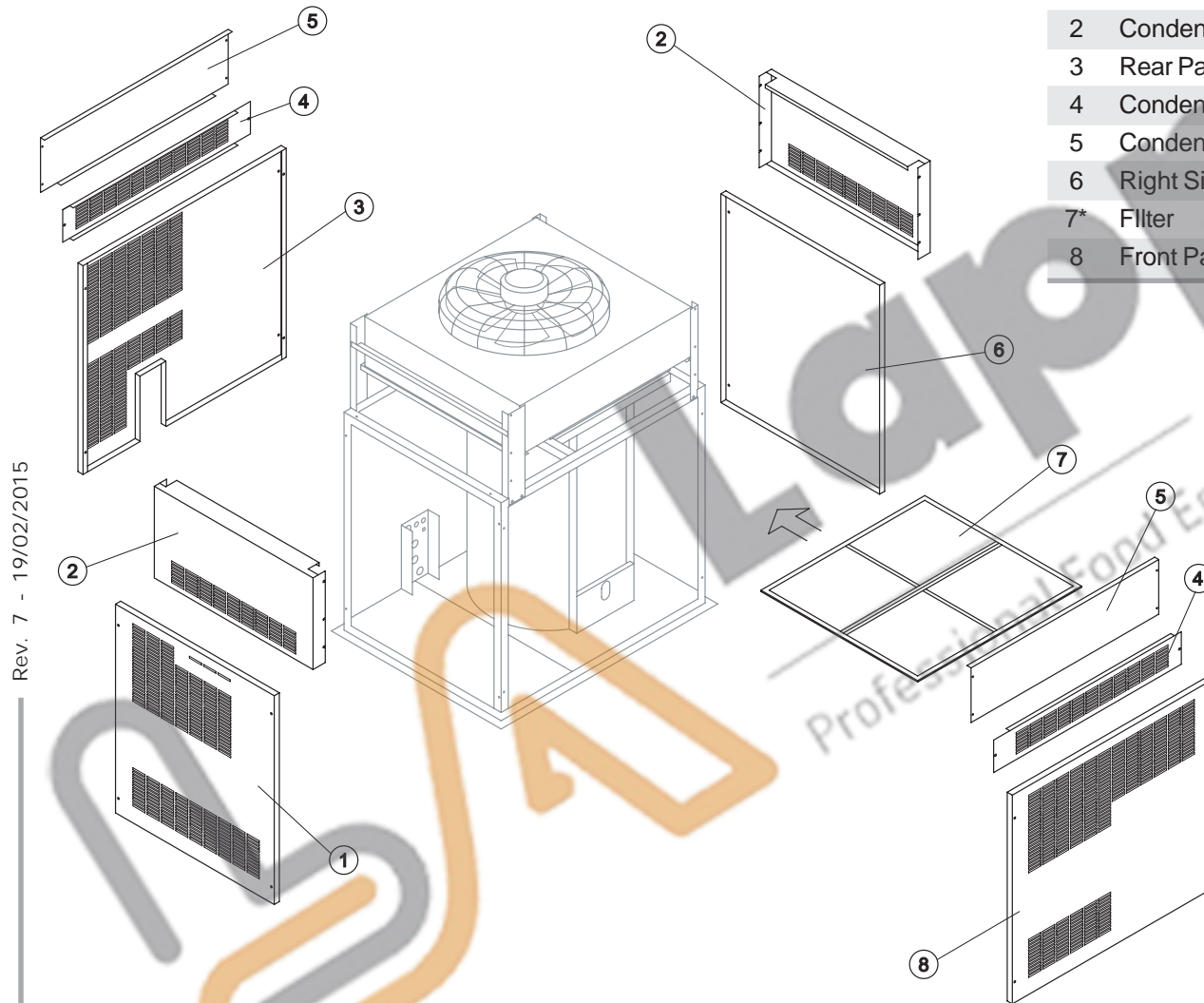
Rev. 7 - 19/02/2015



SM 4500

SHELL ASSY

Ref.	Spare Description	Code
1	Left Side Panel	N22025
2	Condenser Left/Right Side Panel	N22030
3	Rear Panel	N22045
4	Condenser Lower Front/Rear Panel	N22028
5	Condenser Upper Front/Rear Panel	N22029
6	Right Side Panel	N22026
7*	Filter	N18191
8	Front Panel	N22021



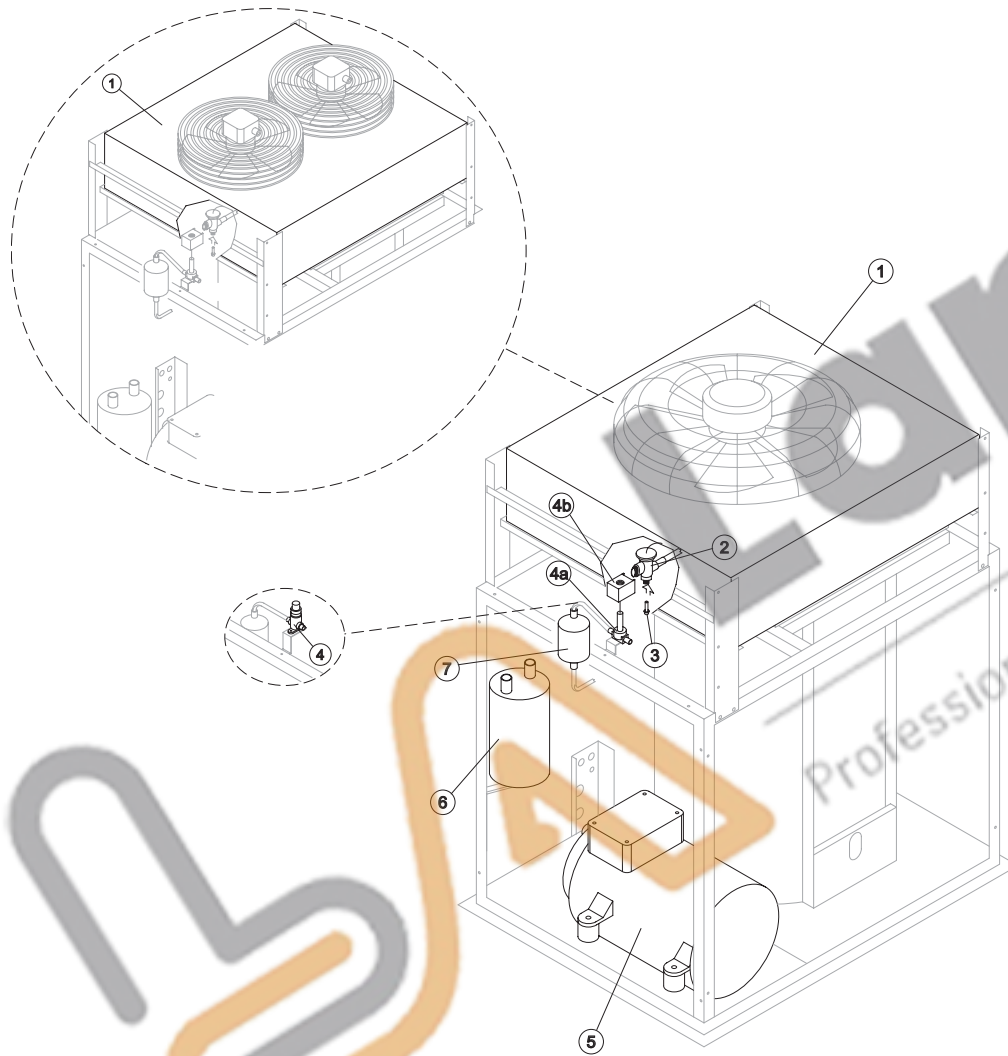
Rev. 7 - 19/02/2015



SM 4500

COOLING SYSTEM

Till s/n. 315590

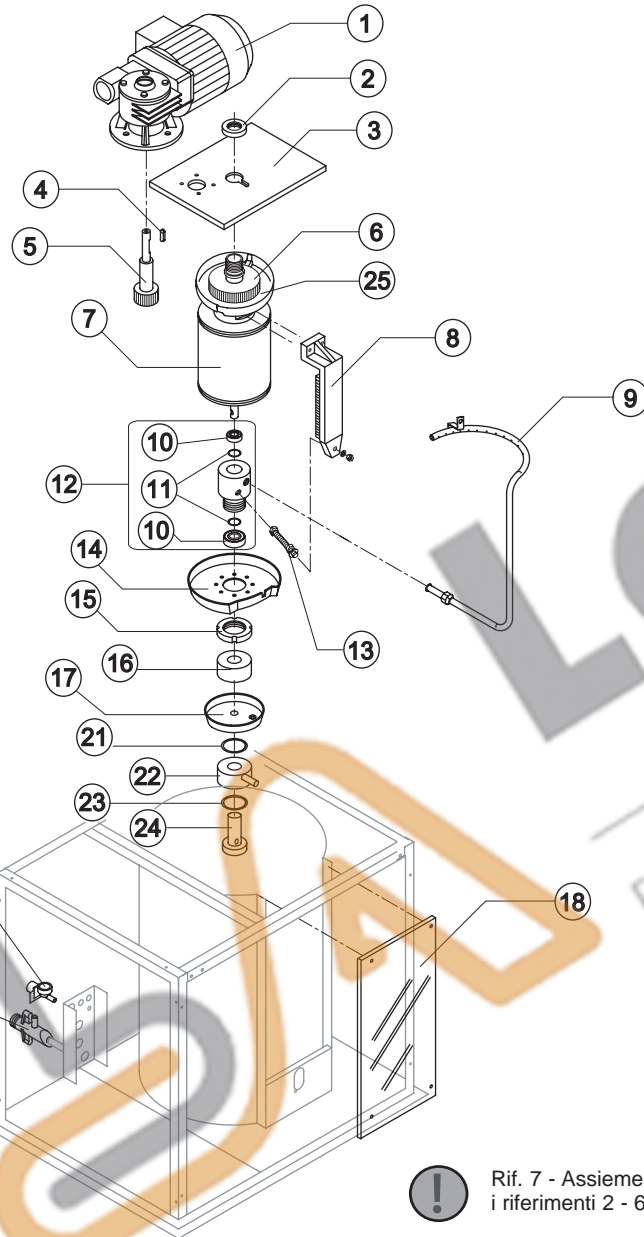


Ref.	Spare Description	Code	
1	Air Condenser	Current Version	N20837
1	Air Condenser	Till s/n. 315590	N20806
2	Expansion Valve		N20826
3	Orifice	Current Version	N20946
3	Orifice	Till s/n. 471749	N20794
4a*	Solenoid Valve Body	Current Version	N20409
4b*	Solenoid Valve Coil	Current Version	N23091
4	Tap	Till s/n. 308478	N20793
5	Compressore	Versione Attuale	N231140
5	Compressore	From s/n. 315591 till s/n. 712983	N23841
5	Compressor	Till s/n. 315590	N23828
6	Liquid Separator		N20805
7*	Solid Core Drier		N14255



SM 4500

EVAPORATOR



Ref.	Spare Description	Code
1	Motor with Reduction Gear Assy	NC23389
2	Cylinder Ring Nut	N20765
3	Evaporator Support Plate	N20745
4	Key 6x6x40	N20350
5	Pinion with Shaft for Gearmotor	N20789
6	Crown Gear	N20763
7	Evaporator	Vedi Nota NC20776
8	Knife	N20768
9	Spray Ring	NC221178
10	Inox Bearing	N20752
11	Silicone OR 144 Gasket	N20750
12	Complete Rotary Ring	NC20773
13	Tie Rod (to Block Knife)	N20769
14	Rotary Basin	N10443
15	Ring Nut for Rotary Ring	N10469
16	Spacer	N20767
17	Fixed Basin	NC10600
18	Screen Evaporator Chamber	N10444
19	1 Way Inlet Water Nipple	N10239
20	Discharges Manifold	N10580
21	Silicone Gasket	N13006
22	Water Inlet Ring	N20774
23	Polythene Gasket	N13070
24	Screw	N20756
25	Ring gear Cover	da matr. 565189 NC10637

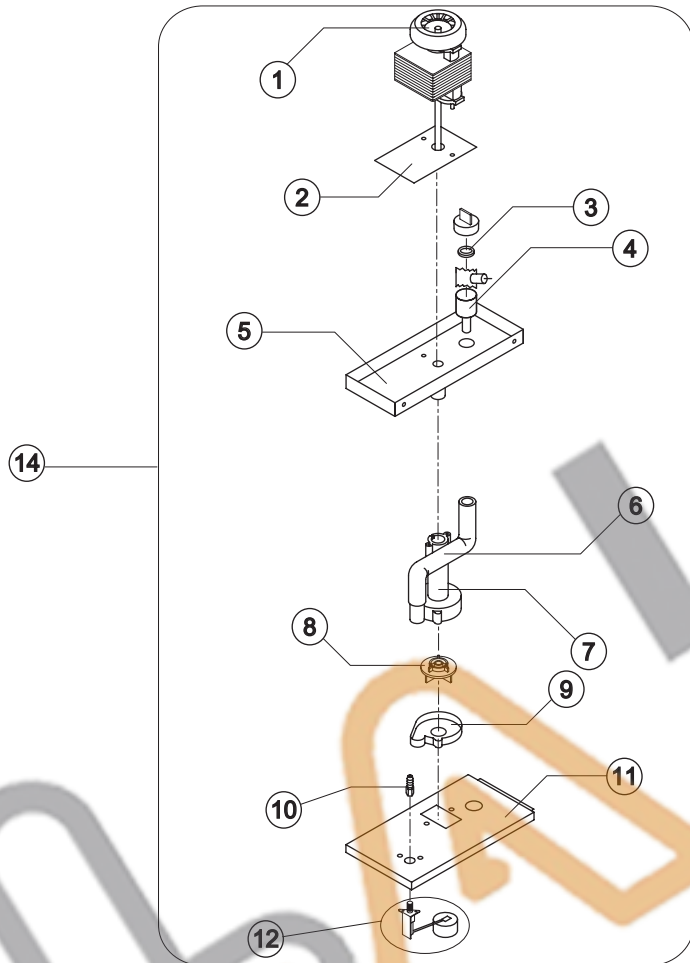


Rif. 7 - Assieme Evaporatore (Cod. NC20776) comprende anche i riferimenti 2 - 6 - 8 - 10 - 11 - 13 - 15 - 16 - 22 - 24



SM 4500

PUMP



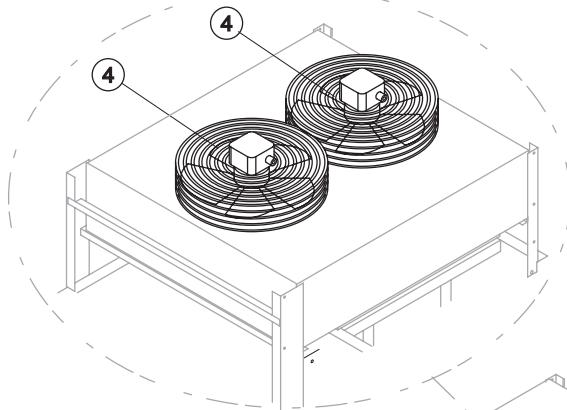
Ref.	Spare Description	Code
1	Pump Motor	N23600
2	Heat Dissipator	N22430
3	Pump Filter Gasket	N13080
4	Filtering Element	N20254
5	Pump Motor Holder	N10161
6	Pump-Filter Fitting Pipe	N13084
7	Pump Body	N10065
8	Pump Impeller	N10066
9	Diffusor	N10067
10	Connection	N20799
11	Water Pump Basin Cover	N22420
12*	Floating Valve	N10188
14*	Pump and Filter Assy	NC26732



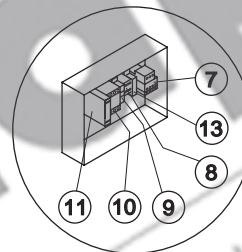
SM 4500

ELECTRIC PARTS

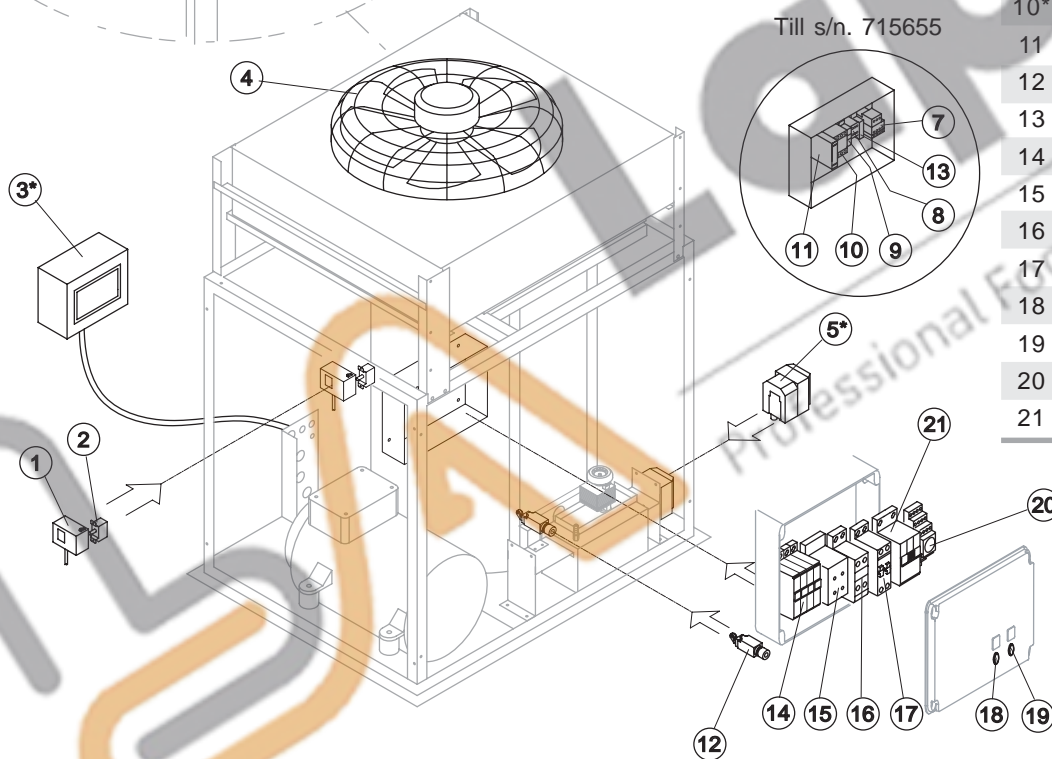
Till s/n. 315590



Till s/n. 715655



Rev. 7 - 19/02/2015



Ref.	Spare Description	Code
1	Pressure Switch	N23763
2	Pressure Switch	N23342
3*°	Remote Electric Panel (optional)	NC27263
4*	Fan Motor with Grid	Current Version N23839
4	Fan Motor with Grid	Till s/n. 315590 N23792
5°	Saline Solution Dosing Pump (optional)	N23796
7	Thermal Protection	Fino a Matr. 715655 NC23528
8*	Contactor	Fino a Matr. 715655 N23594
9	Thermo-magnetic circuit breaker	Fino a Matr. 715655 N23910
10*	Contactor	Fino a Matr. 715655 N23398
11	Voltage control relay	Fino a Matr. 715655 N23903
12	Microswitch for Overflow Ice	N23746
13	Electronic Delay Timer	Da Matr. 517546 - Fino a Matr. 715655 N231033
14	Thermo-magnetic circuit breaker 4P	N231186
15	Voltage control relay	N23903
16	Contactor	N231188
17	Contactor	N231189
18	Indicator Lamp (green)	N231191
19	Indicator Lamp (red)	N231192
20	Delayer	N231190
21	Residual Current Circuit Breaker	N231187