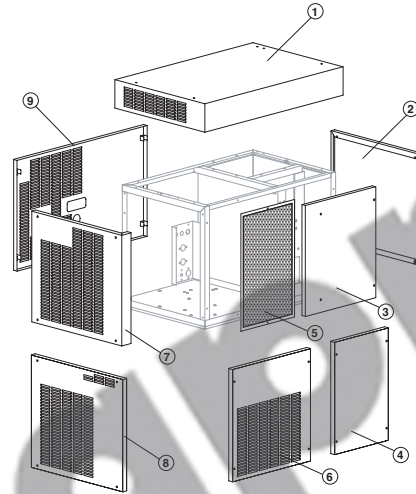




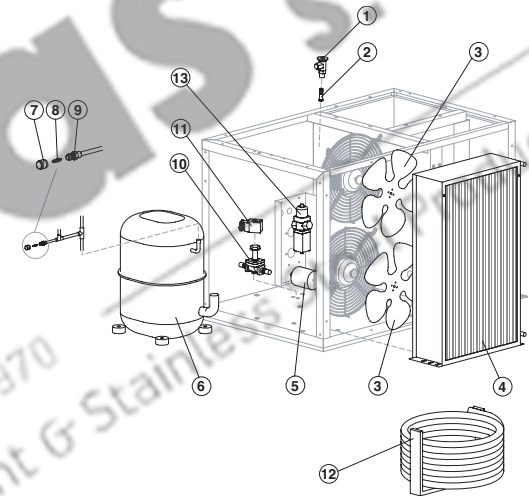
# SM 1300

## LIST OF THE EXPLODED VIEWS

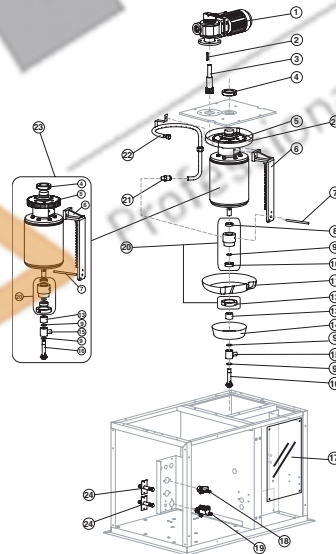
### SHELL ASSY



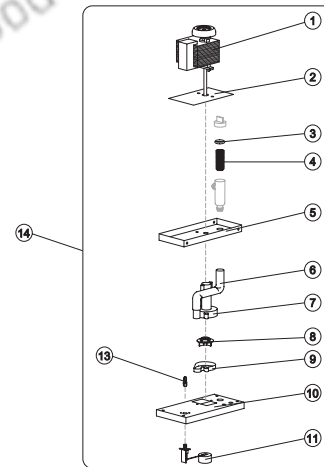
### COOLING SYSTEM



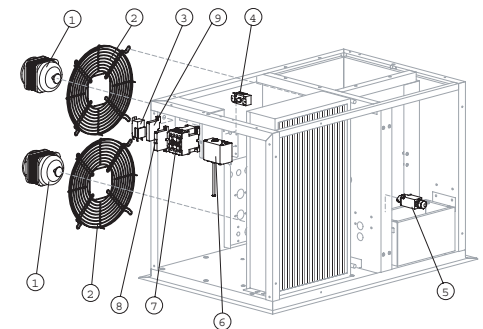
### EVAPORATOR



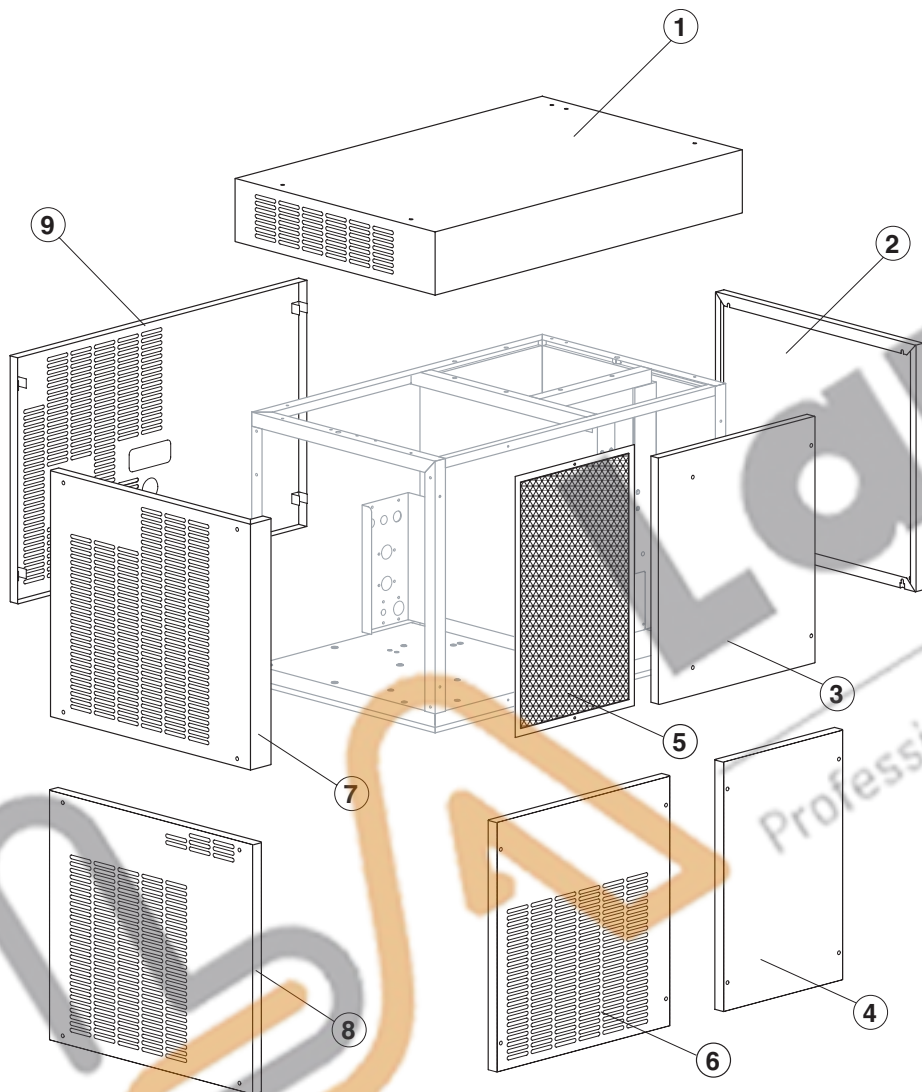
### PUMP



### ELECTRIC PARTS



Rev. 5 - 17/06/2013



### Common Parts

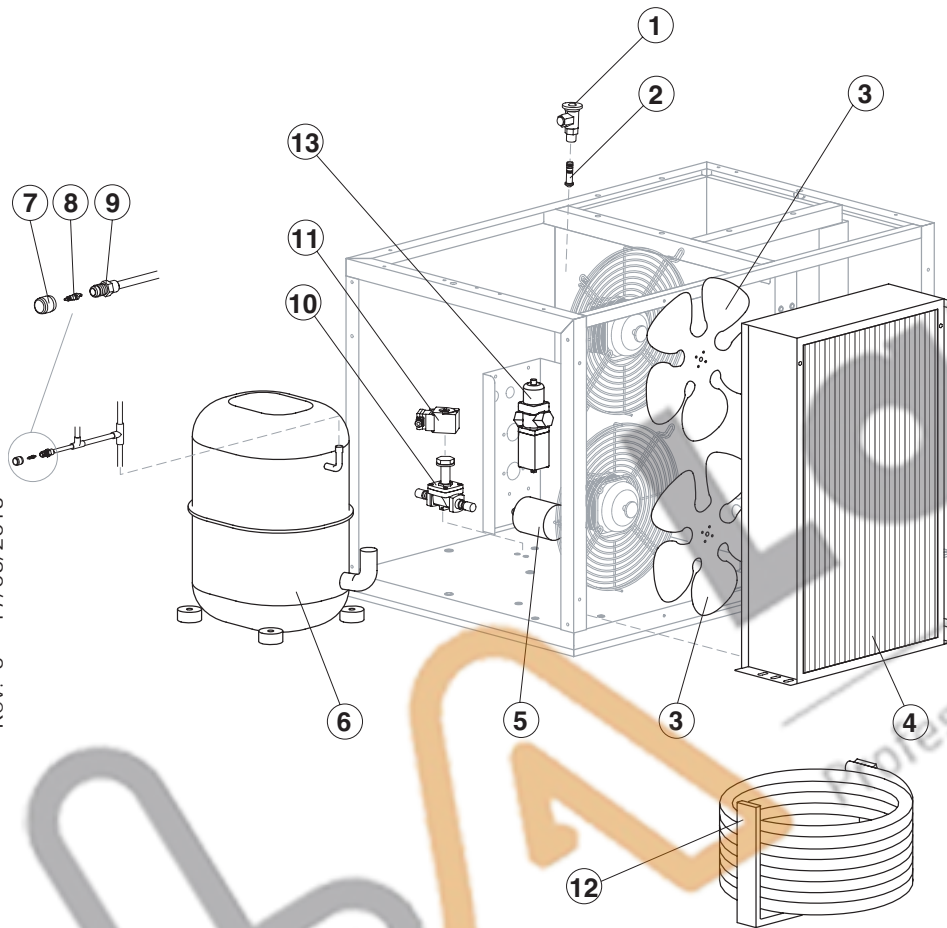
Ref.	Spare Description	Code
1	Top Assembly	NC22422
2	Right Side Panel	N22425
9	Rear Panel	N22427

### Parts for Air-Cooled Version Only

Ref.	Spare Description	Code
3	Front Panel (Evaporator Side)	N221031
5*	Filter	N18200
7	Left Side Panel	N221032

### Parts for Water-Cooled Version Only

Ref.	Spare Description	Code
4	Front Panel (Evaporator Side)	N22424
6	Front Panel (Group Side)	NC22423
8	Left Side Panel	N22426



Ref.	Spare Description	Code
1	Expansion Valve	N20734
2	Orifice	Current Version N20943
2	Orifice	Till s/n. 471184 N20797
5*	Solid Core Drier	N14084
6	Compressor	N23583
7*	Vacuum-Charge Valve Plug	N14006
8*	Vacuum-Charge Valve Device	N14005
9	Vacuum-Charge Valve Body	N14007
10*	Hot Gas Valve Body	N20409
11*	Hot Gas Valve Coil	N23091

### Parts for Air-Cooled Version Only

Ref.	Spare Description	Code
3	Sucking Fan	N20153
4	Air Condenser	N20406

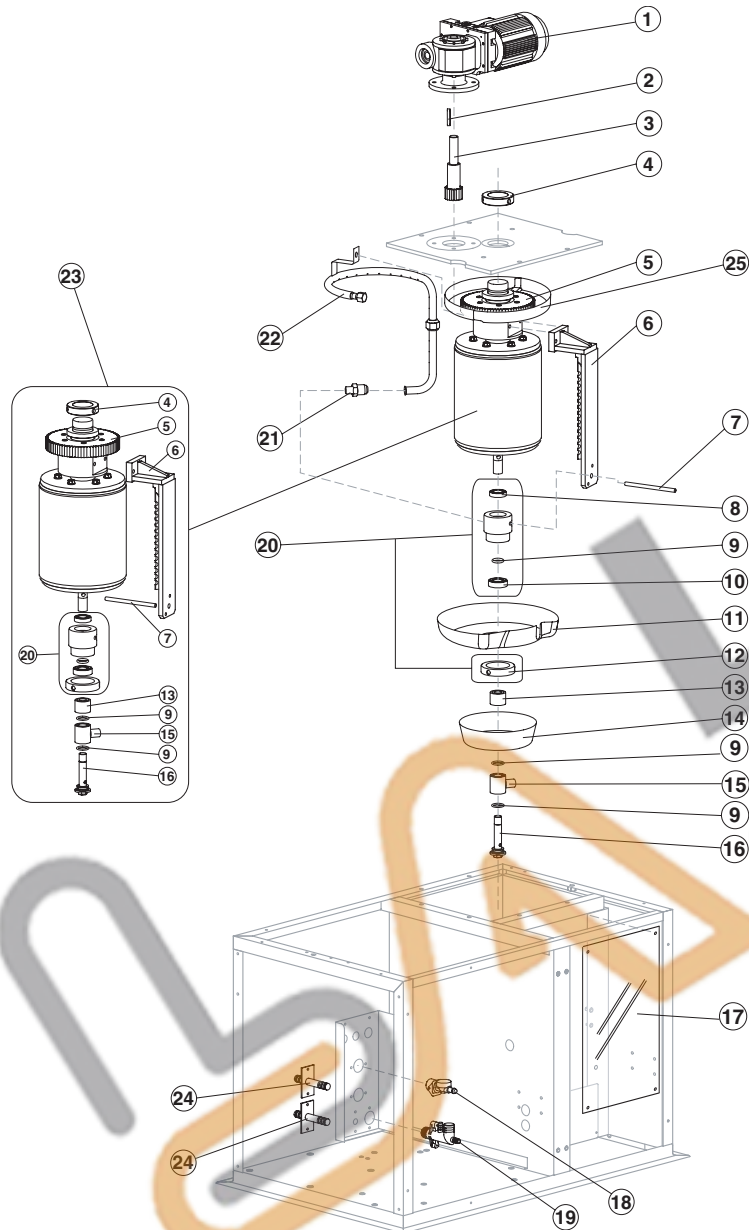
### Parts for Water-Cooled Version Only

Ref.	Spare Description	Code
12	Water Condenser	N14617
13	Pressostatic Valve	N20149



# SM 1300

# EVAPORATOR



Ref.	Spare Description	Code
1	Gearmotor Assy	NC23412
2	Key 6x6x40	N20350
3	Pinion with Shaft for Gearmotor	NC20344
4	Cylinder Locking Ring Nut	N20324
5	Ring Gear	N20354
6	Scraper	N20866
7	Tie Rod (to Block Scraper)	N20865
8	Stainless Steel Bearing	N20531
9	Silicone OR 4081 Gasket	N20338
10	Stainless Steel Bearing	N20045
11	Rotating Basin	N10184
12	Ring Nut for Rotating Ring	N10182
13	Spacer	N10519
14	Fixed Basin	NC10598
15	Water Inlet Ring	N20851
16	Screw	N20849
17	Evaporator Chamber Shield	N10522
18	1 Way- Water Inlet Nipple	N10239
19	Discharges Manifold	N10580
20	Complete Rotating Ring	NC10180
21	Joint	N20335
22	Sprayer Ring	NC20867
23	Evaporator	NC11149
25	Ring Gear Cover	From s/n. 555325 NC10629

### Parts for Water-Cooled Version Only

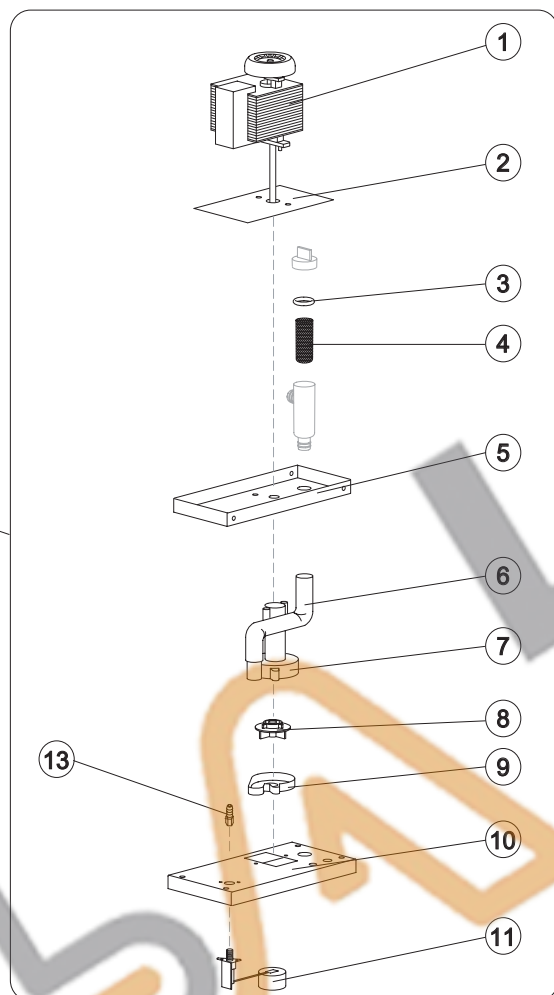
Ref.	Spare Description	Code
24	Connection with Plate	NC20462

Rev. 5 - 17/06/2013

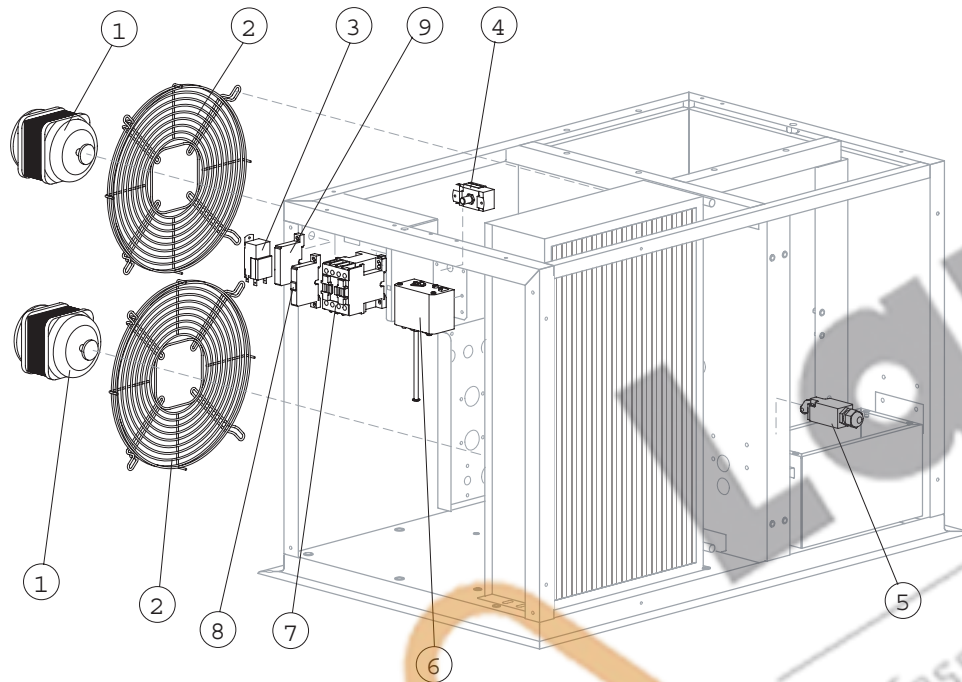


# SM 1300

# PUMP



Ref.	Spare Description	Code
1	Pump Motor	N23073
2	Heat Dissipator	N22430
3	Pump Filter Gasket	N13080
4	Filtering Element	N20254
5	Pump Motor Support	N10161
6	Pump-Filter Connection Pipe	N13084
7	Pump Body	N10065
8	Pump Impeller	N10190
9	Diffusor	N10067
10	Water Pump Basin Cover	N22420
11*	Floating Valve	N10188
13	Connection	N20799
14*	Pump and Filter Assy	NC26736



Ref.	Spare Description	Code
3*	Bin Thermostat	NR23005
4	Safety Pressure Switch (Maximum Pressure)	N23342
5	Microswitch for Overflow Ice	N23746
6	Pressure Switch (Minimum Pressure)	N23763
7*	Contactor	N23147
8	Thermomagnetic circuit breaker	N23910
9	Electronic Delay Timer	From s/n. 515699 N231033

### Parts for Air-Cooled Version Only

Ref.	Spare Description	Code
1*	Fan Motor	N23121
2	Fan Motor Grid	N12054