

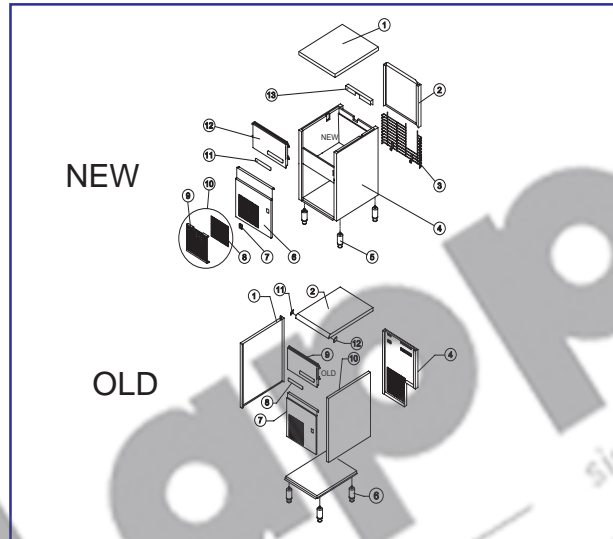
SLT 290

LIST OF THE EXPLODED VIEWS

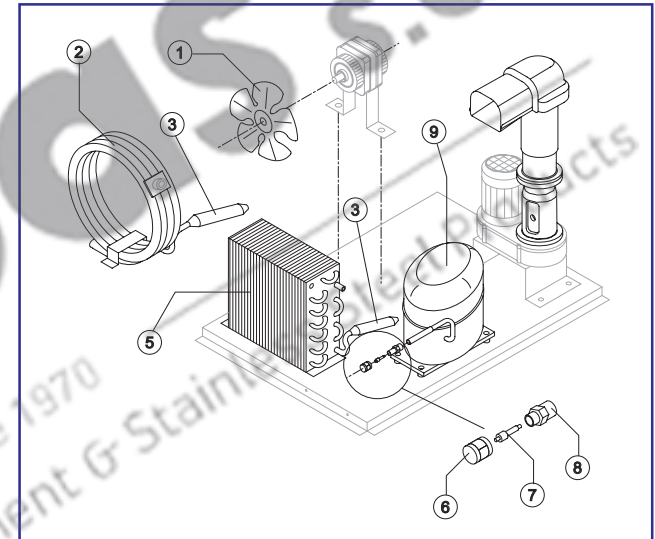
Rev. 6 - 20/01/2015



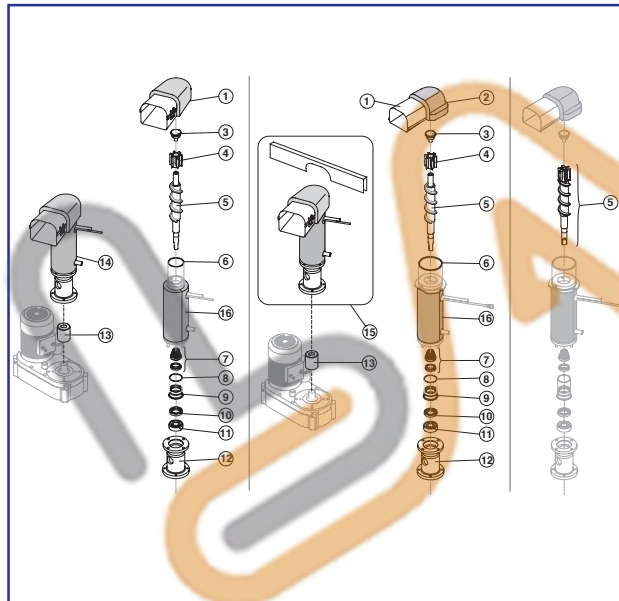
SHELL ASSY



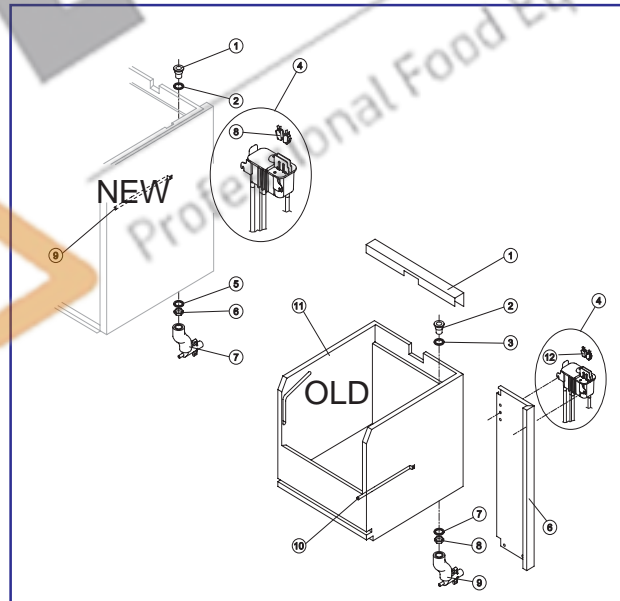
COOLING SYSTEM



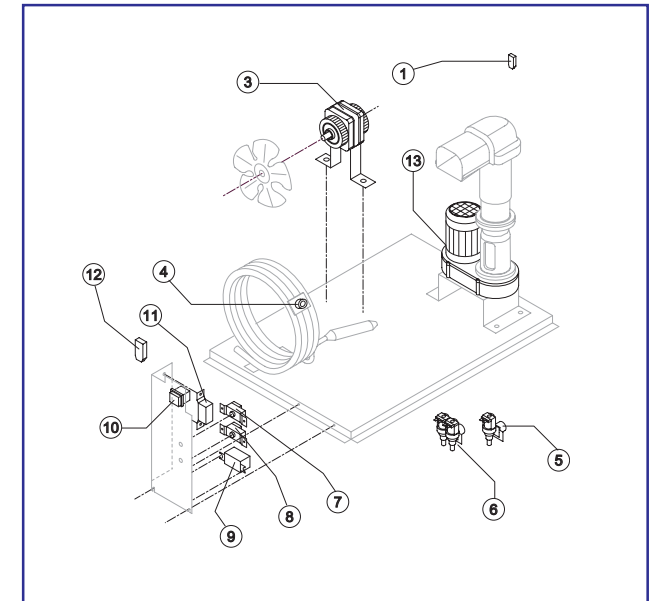
EVAPORATOR



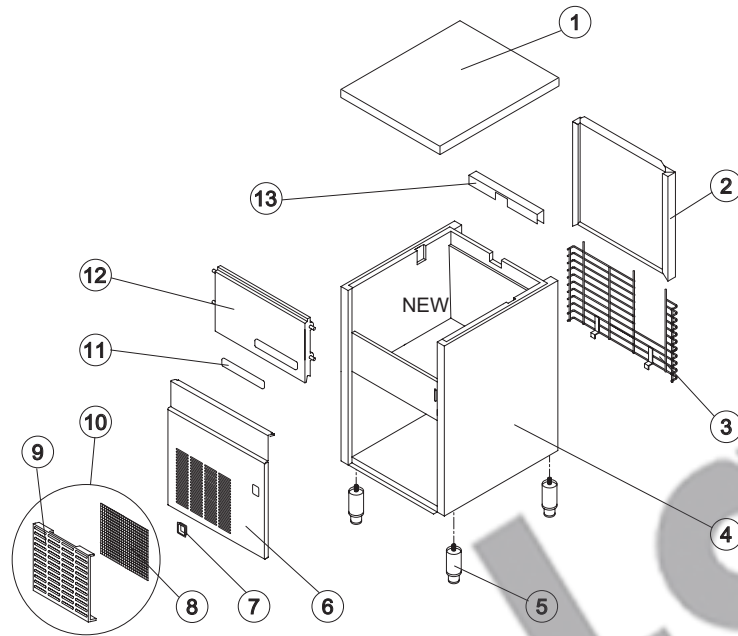
HYDRAULIC CIRCUIT



ELECTRIC PARTS



Rev. 6 - 20/01/2015

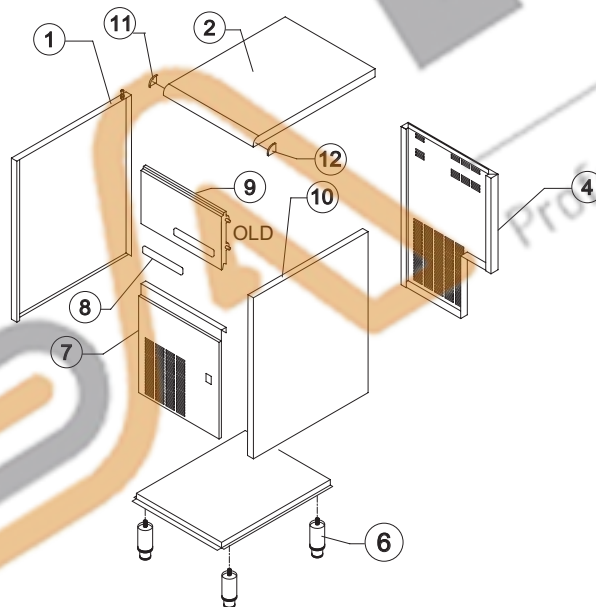


New Version

Ref.	Spare Description	Code
1	Top Assembly	NC22227
2	Grey Rear Panel	NC21202GR
3	Rear Grid	ND12020
4	Foamed Cabinet Assy	See Table
5	Foot Adjustable	N20613
6	Front Panel	NC221490
7	On-Off switch Frame	N10696
8	Filter	N18243
9	Grid	N10697
10	Grid Assembly	NC10697
11	Resinate Logo	N241330
12	Door Assembly	NC10362
13	Cover for Ice Exhaust	Current Version N221386
13	Cover for Ice Exhaust	Till s/n. 589140 N221114

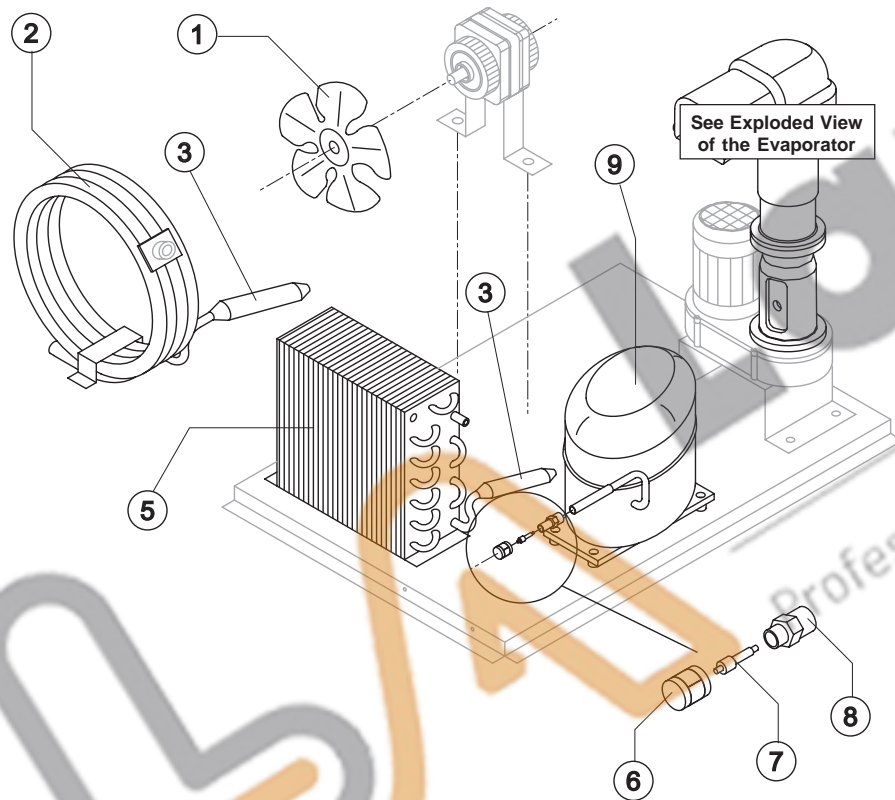
Ref. 1 - Foamed Cabinet Assy

Condensation	Code
Air	NC11156A
Water	NC11156W



Old Version

Ref.	Spare Description	Code
1	Left SidePanel Assembly	NC22877
2	Top	NC22767GR
4	Grey Rear Panel	N21300
6	Foot Adjustable	N20613
7	Front Panel	N22875
8	Resinate Logo	N241330
9	Door Assembly	NC10362
10	Right Side Panel Assembly	NC22876
11	Left TopProtection	N10323GR
12	Right Top Protection	N10324GR



Common Parts

Ref.	Spare Description	Code
3*	Molecular Drier	N14009
6*	Vacuum-Charge Valve Plug	N14006
7*	Vacuum-Charge Valve Device	N14005
8	Vacuum-Charge Valve Body	N14007
9	Compressor	N23832

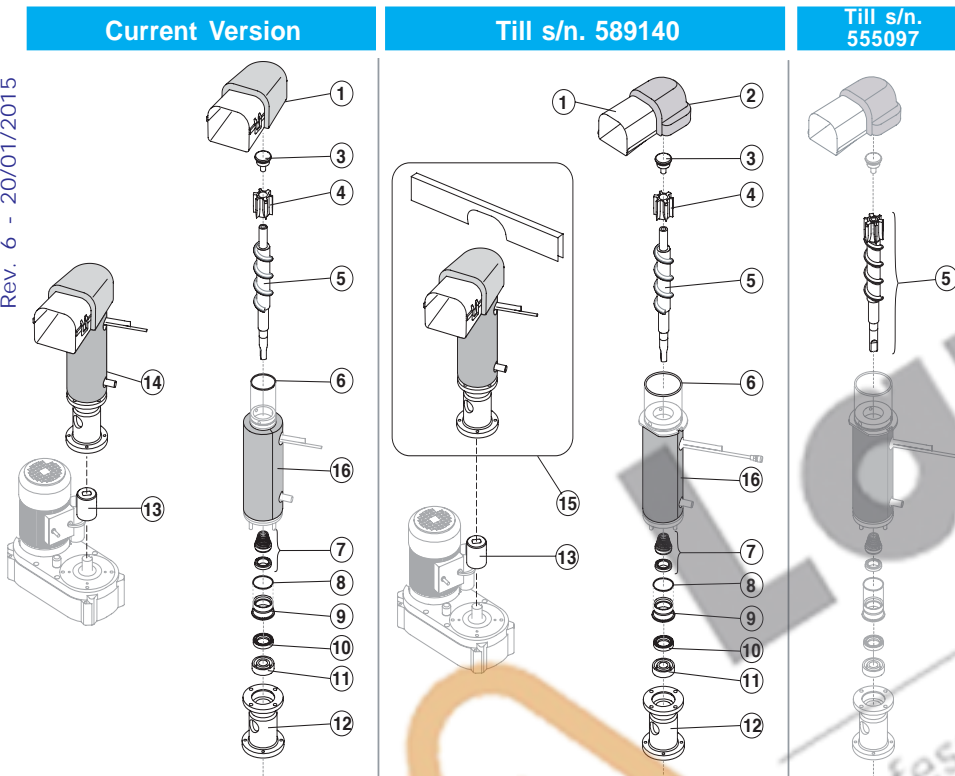
Parts for Air-Cooled Version Only

Ref.	Spare Description	Code
1	Sucking Fan	N20031
5	Air Condenser	N20558

Parts for Water-Cooled Version Only

Ref.	Spare Description	Code
1	Sucking Fan	N10213
2	Water Condenser	N14014

Rev. 6 - 20/01/2015



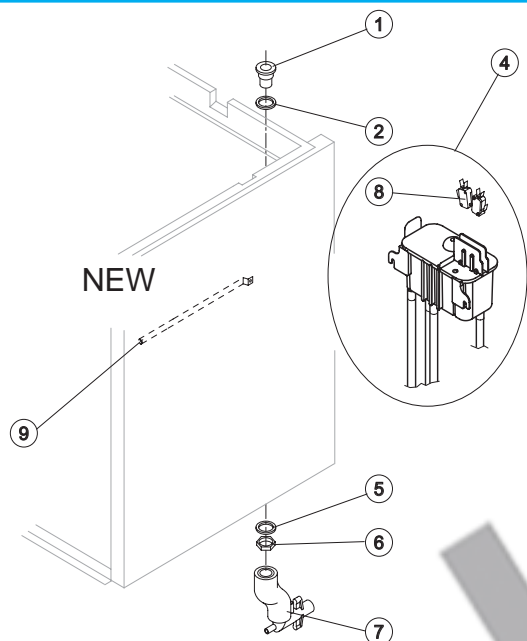
Ref.	Spare Description	Code
1	Ice Exhaust with insulating	NC10648
3	Ice Breaker	N20915
4	Extruder with bearings assembly	NC201001
5	Auger	N201000
6	OR Gasket 4325	N20987
7	Ceramic Seal	N20937
8	OR Gasket 3162 NBR70	N20429
9	Reduction Ring	N20785
10	Seal Ring	N20985
11	Bearing	N20917
12	Flange	N20916
13	Joint	ND20630
14	Evaporator Assy	NC11174
16	Insulating Cap	N18205

Ref.	Spare Description (Till s/n. 589140)	Code	
1	Ice Exhaust	NC10556	
2	Insulating cap	N18208	
3	Ice Breaker	N20915	
4	Extruder with bearings assembly	From s/n. 555098	NC201001
5	Auger	From s/n. 555098	N201000
5	Auger + Extruder with bearings assembly	Till s/n. 555097	NC20918
6	OR Gasket 4325	N20931	
7	Ceramic Seal	N20937	
8	OR Gasket 3162 NBR70	N20429	
9	Reduction Ring	N20785	
10	Seal Ring	From s/n. 515012	N20985
11	Bearing	N20917	
12	Flange	N20916	
13	Joint	ND20630	
14	Evaporator Assy	NKITNEVSLT290	

SLT 290

HYDRAULIC CIRCUIT

Rev. 6 - 20/01/2015

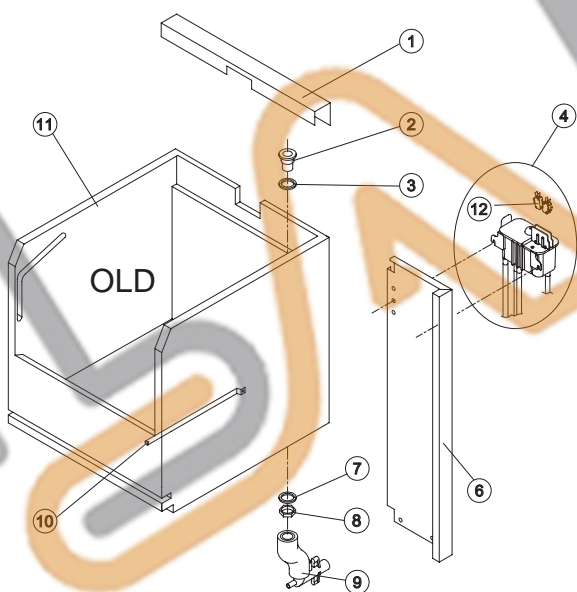


Common Parts

Ref.	Spare Description	Code
1	Raccordo Scarico Contenitore	N10472
2	Silicone Gasket	N13006
4*	Double Switch Basin Assembly	NC10710
5	Semirigid Polyethylene Gasket	N13007
6	Water Outlet Nipple	N10096
7	Discharges Manifold	Vedi Tabella
8	Microswitch	N23055
9	Bulb- holder Pipe	N20522

Ref. 7 - Discharge Manifold

Condensation	Code
Air	NC10235
Water	NC10240



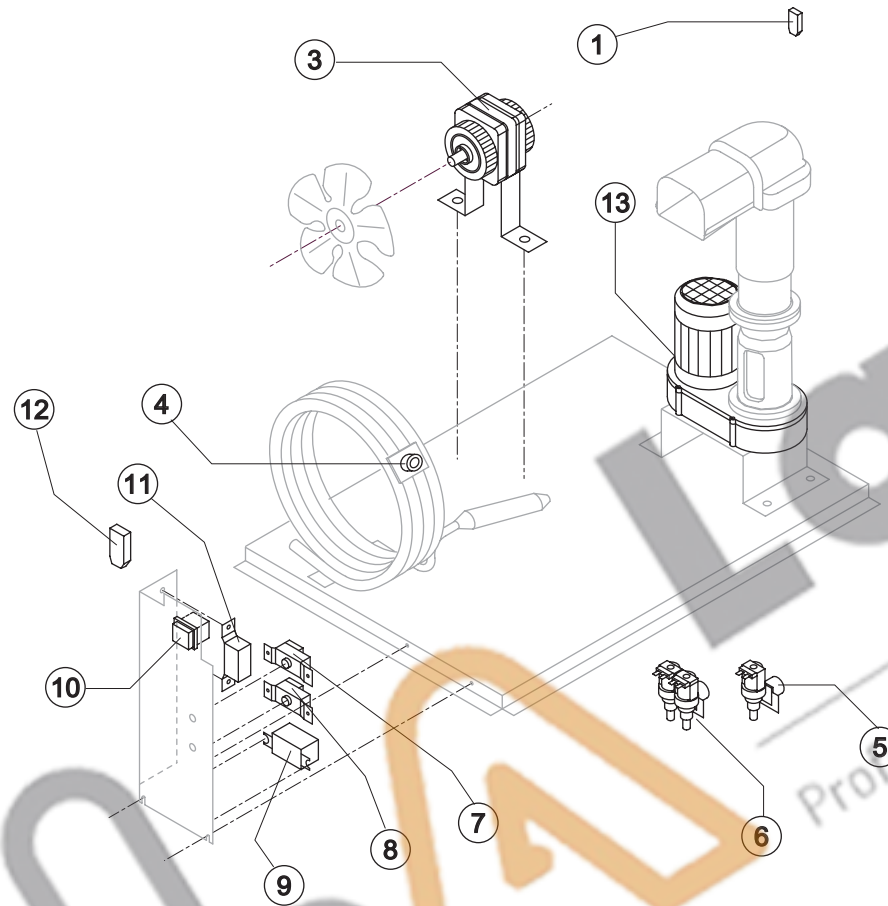
Common Parts

Ref.	Spare Description	Code
1	Cover for Ice Exhaust	N221132
2	Water Outlet Nipple	N10472
3	Silicone Gasket	N13006
4*	Double Switch Basin Assembly	NC10683
6	Supporto Bacinella	N21301
7	Semirigid Polyethylene Gasket	N13007
8	Water Outlet Nipple	N10096
9	Discharges Manifold	Vedi Tabella
10	Bulb- holder Pipe	N20522
11	Insulated Bin Assembly	NC11131
12	Microswitch	N23055

Ref. 9 - Discharge Manifold

Condensation	Code
Air	NC10366
Water	NC10367

Rev. 6 - 20/01/2015



Common Parts

Ref.	Spare Description	Code
1	Anti Radio Interference Filter	NC23457
7*	Bin Thermostat	NR23005
8*	vaporator Thermostat	Current Version NR23591
8*	vaporator Thermostat	Till s/n. 587092 NKIT23591
9*	Relay	N23190
10*	Green Light Switch (On-Off)	N23327
11*	Condenser Pressure Switch	N23175
12	Anti Radio Interference Filter	NC23459
13	Gearmotor	Current Version N231060
13	Gearmotor	Till s/n. 594912 NR231060

Parts for Air-Cooled Version Only

Ref.	Spare Description	Code
3*	Fan Motor	N23067
5*	1 Way - Water Inlet Valve	N23115

Parts for Water-Cooled Version Only

Ref.	Spare Description	Code
3*	Fan Motor	N23029
4*	Safety Thermostat	NC23114
6*	2 Ways - Water Inlet Valve	N23010