

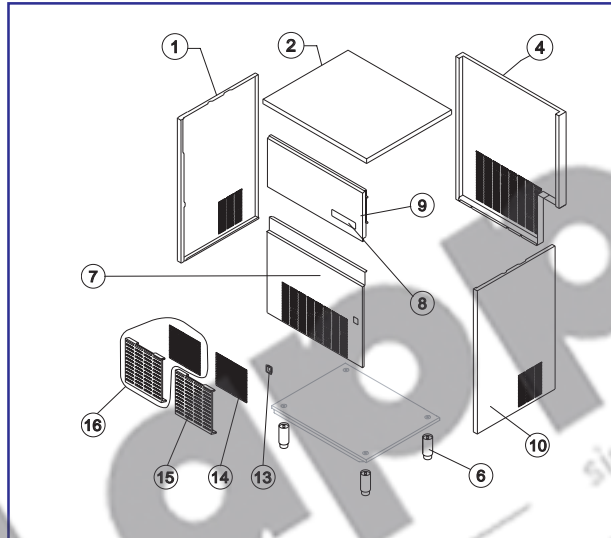
SLF 355

LIST OF THE EXPLODED VIEWS

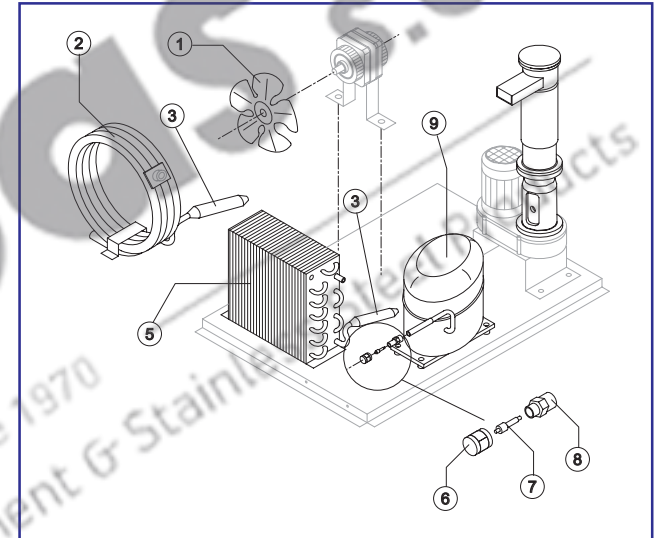
Rev. 13 - 20/01/2015



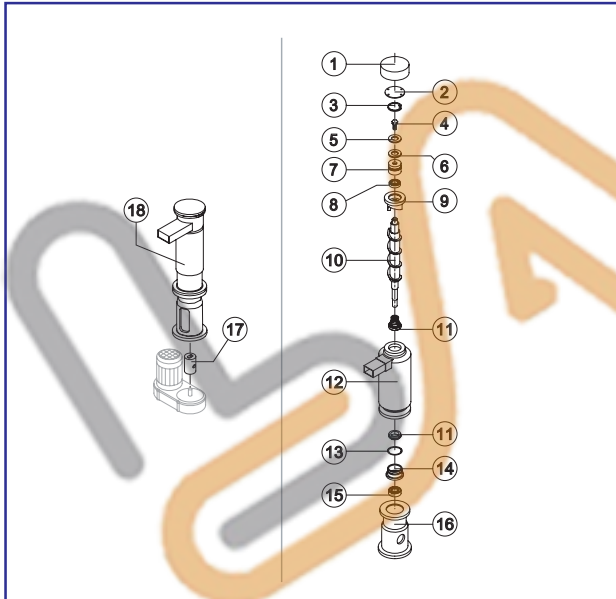
SHELL ASSY



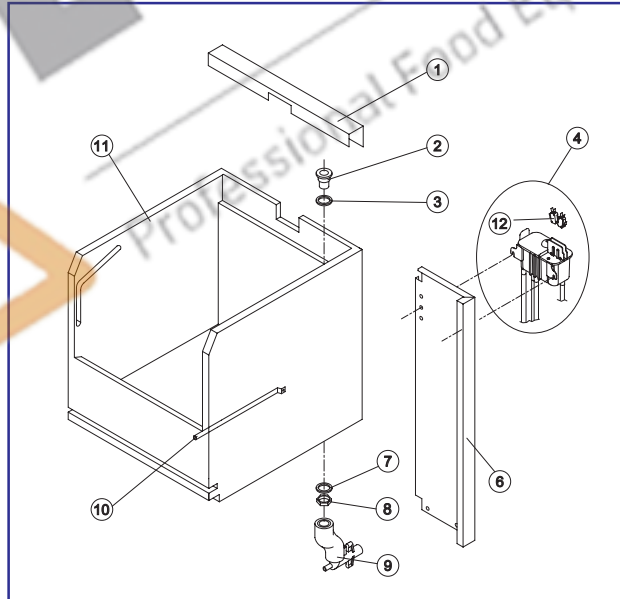
COOLING SYSTEM



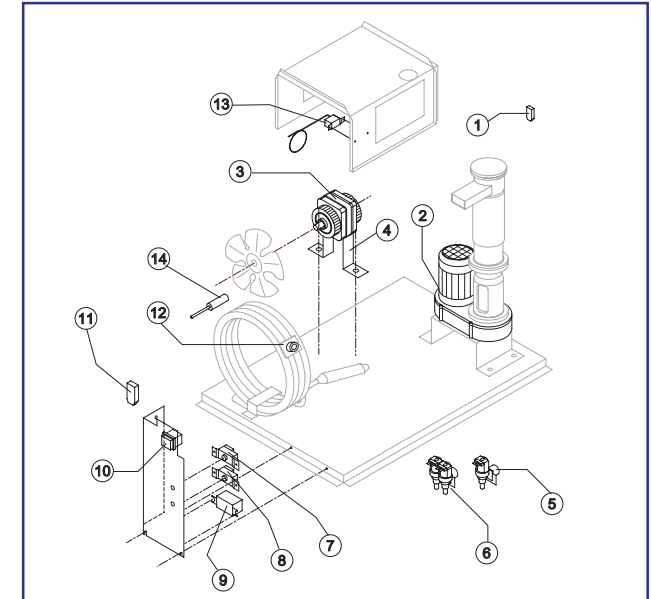
EVAPORATOR

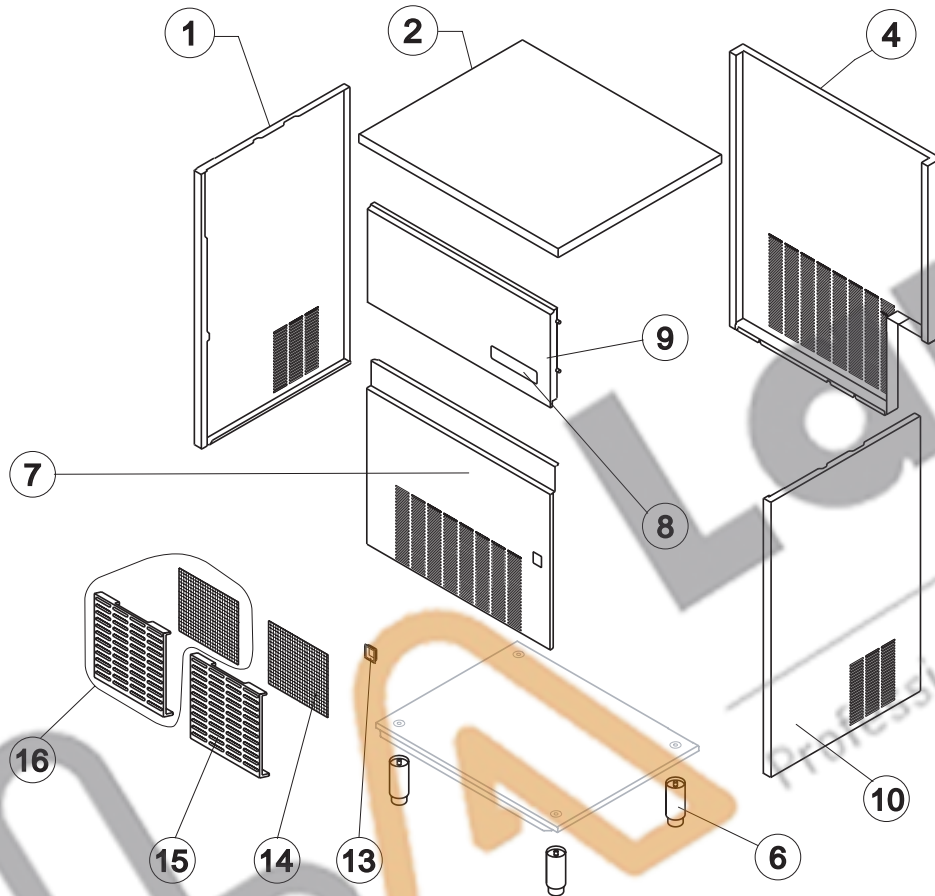


HYDRAULIC CIRCUIT

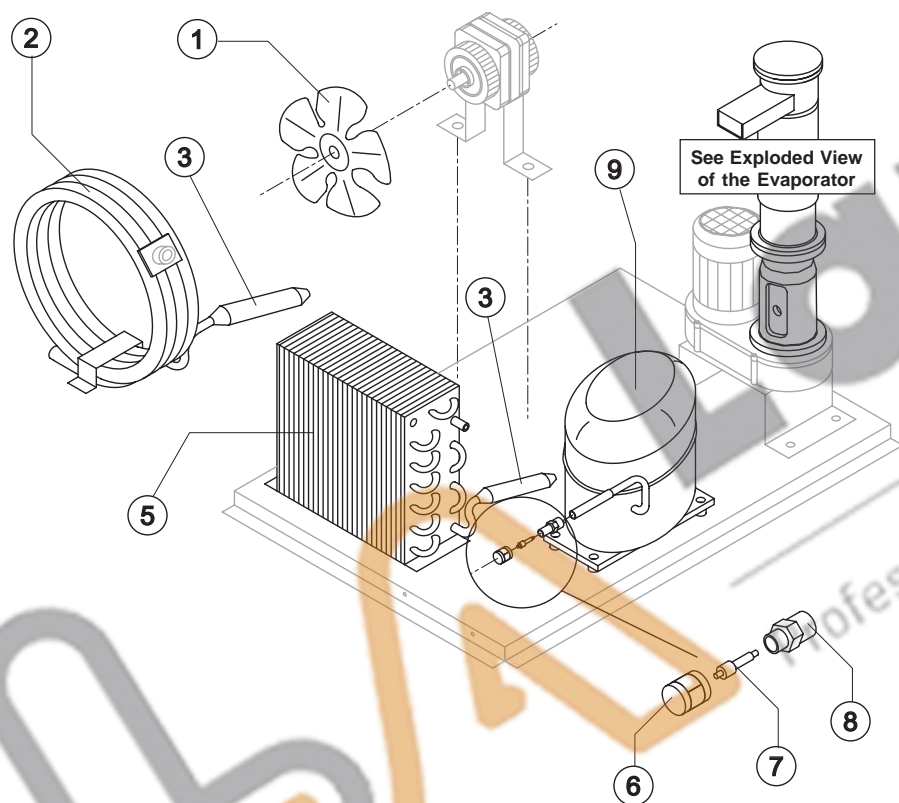


ELECTRIC PARTS





Ref.	Spare Description	Code
1	Left SidePanel Assembly	NC22877
2	Top	NC221492
4	Grey Rear Panel	N21300
6	Foot Adjustable	N20613
7	Front Panel	NC221487
8	Resinate Logo	N241330
9	Door Assembly	NC10362
10	Right Side Panel Assembly	NC22876
13	On-Off switch Frame	N10696
14	Filter	N18243
15	Grid	N10697
16	Grid Assembly	NC10697



Common Parts

Ref.	Spare Description	Code
3*	Molecular Drier	N14009
6*	Vacuum-Charge Valve Plug	N14006
7*	Vacuum-Charge Valve Device	N14005
8	Vacuum-Charge Valve Body	N14007
9	Compressor	See Table

Parts for Air-Cooled Version Only

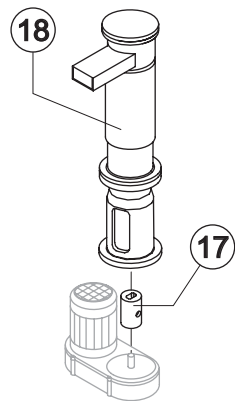
Ref.	Spare Description	Code
1	Sucking Fan	N20031
5	Air Condenser	Current Version N20558
5	Air Condenser	Till s/n. 349945 N20175

Parts for Water-Cooled Version Only

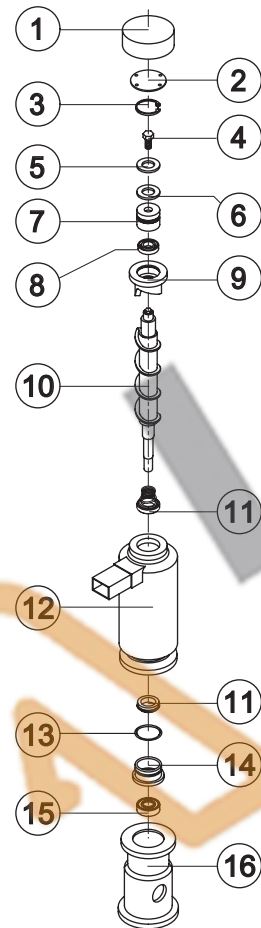
Ref.	Spare Description	Code
1	Sucking Fan	N10213
2	Water Condenser	N14014

Ref. 9 - Compressor

Tension	Code
220/240V 50 Hz	N23832
220/230V 60 Hz	N23578A
110/115V 60 Hz	N23679

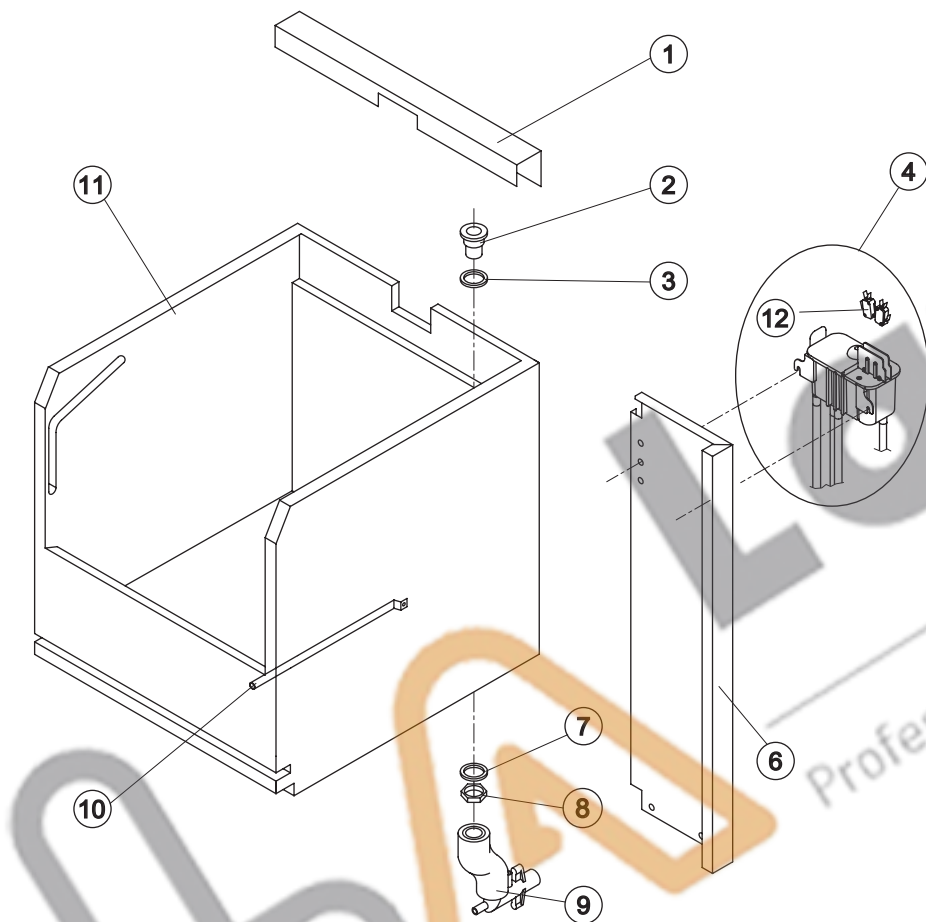


NC11140



For Complete Evaporator,
order NC11140.
Till s/n. 223592 order
code NKITNEVSLF.

Ref.	Spare Description (Current Version)	Code
1	Insulating Top Panel	N18170
2	Closing Disk	N22825
3	Seeger	N20043
4	Stainless Steel Screw	N20663
5	Shimming Disk	N22826
6	Self-Lubricating Disk	N20631
7	Stainless Steel Thrust Bearing	N20686
8	OR Gasket 3087	N20688
9	Ice Breaker	N20626
10	Auger	Current Version N20783
10	Auger with Screw	Till s/n. 223592 NC20783
11	Ceramic Seal	N20937
12	Insulated Evaporator	NC11107
13	OR Gasket 3162 NBR70	N20429
14	Reduction Ring	Current Version N20785
14	Reduction Ring	Till s/n. 223592 N20624
15	Stainless Steel Bearing	Current Version N20782
15	Stainless Steel Bearing	Till s/n. 223592 N20045
16	Flange	N20629
17	Joint	Current Version ND20784
17	Joint	Till s/n. 223592 ND20630
18	Evaporator Assy	Current Version NC11140
18	Evaporator Assy	Till s/n. 223592 NKITNEVSLF
19	Insulating Cap	N18171



Common Parts

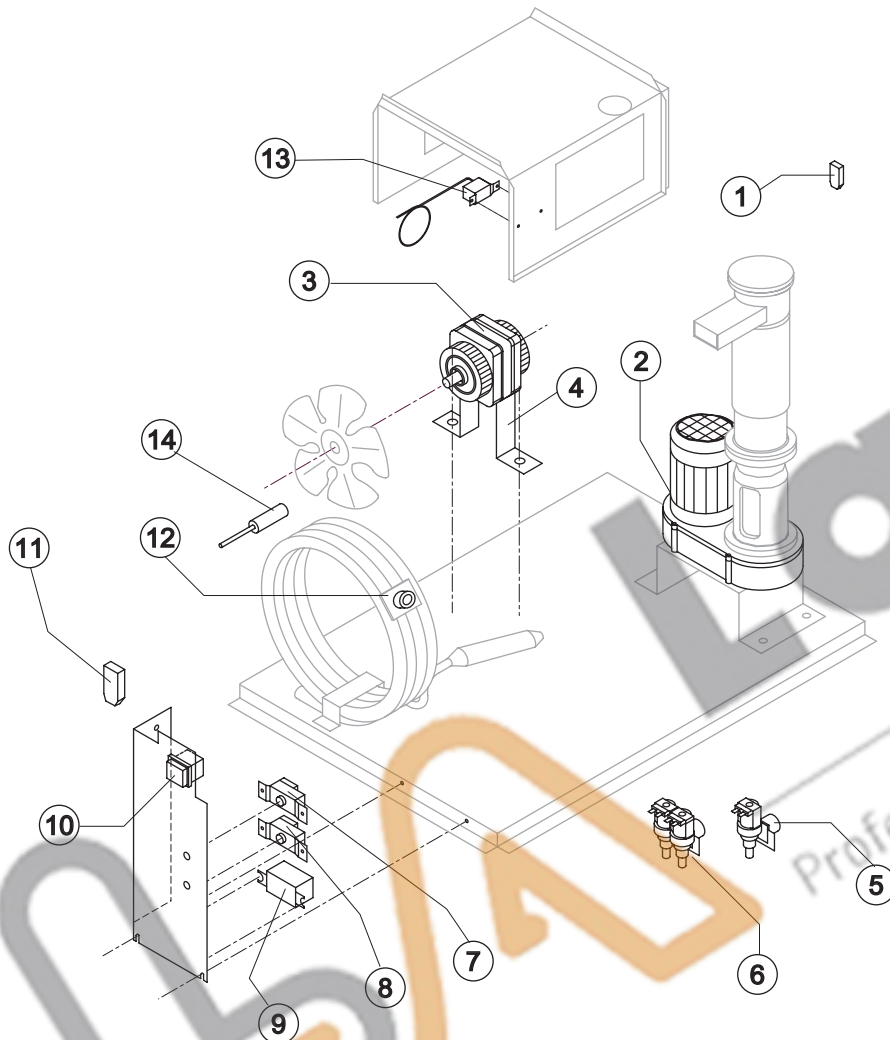
Ref.	Spare Description	Code
1	Cover for Ice Exhaust	N22774
2	Water Outlet Nipple	N10472
3	Silicone Gasket	N13006
4*	Double Switch Basin Assembly	NC10683
6	Basin Support	N21301
7	Semirigid Polyethylene Gasket	N13007
8	Bin Discharge Nut	N10096
10	Bulb- holder Pipe	N20522
11	Insulated Bin Assembly	NC11129
12	Microswitch	N23055

Parts for Air-Cooled Version Only

Ref.	Spare Description	Code
9	Discharges Manifold	NC10366

Parts for Water-Cooled Version Only

Ref.	Spare Description	Code
9	Discharges Manifold	NC10367



Common Parts

Ref.	Spare Description	Code
1	Anti Radio Interference Filter 220/240V 50 Hz	NC23457
2	Gearmotor	See Table
3*	Fan Motor	See Table
7*	Bin Thermostat	N23005
8*	Evaporator Thermostat Till s/n. 613004	N23034
9*	Relay	See Table
10*	Green Light Switch (On-Off)	N23327
11	Anti Radio Interference Filter 220/240V 50 Hz	NC23459
13*	Condenser Pressure Switch	N23175
14	Low pressure safety switch From s/n. 613005	N23909

Parts for Air-Cooled Version Only

Ref.	Spare Description	Code
4	Stirrup h.88	N23427
5*	1 Way - Water Inlet Valve	See Table

Parts for Water-Cooled Version Only

Ref.	Spare Description	Code
4	Stirrup h.72	N23124
6*	2 Ways - Water Inlet Valve	See Table
12*	Safety Thermostat	NC23114

Ref. 2 - Gearmotor

Tension	Current Version	Till s/n. 594455
220/240V 50 Hz	N231030	NR231030
220/230V 60 Hz	N231030	NR231030
110/115V 60 Hz	N231056	NR231056

Ref. 3* - Fan Motor

Tension	Air	Water
220/240V 50 Hz	N23067	N23029
220/230V 60 Hz	N23681	N23029
110/115V 60 Hz	N23621	N23683

Ref. 5* - 1 Wa-Water Inlet Valve

Tension	Code
220/240V 50 Hz	N23115
220/230V 60 Hz	N23115
110/115V 60 Hz	N23410

Ref. 6* - 2 Ways- Water Inlet Valve

Tension	Code
220/240V 50 Hz	N23010
220/230V 60 Hz	N23010
110/115V 60 Hz	N23261

Ref. 9* - Relay

Tension	Current Version	Till s/n.699275
220/240V 50 Hz	N23190	N23190
220/230V 60 Hz	N23190	N23190
110/115V 60 Hz	N231099	N23557