

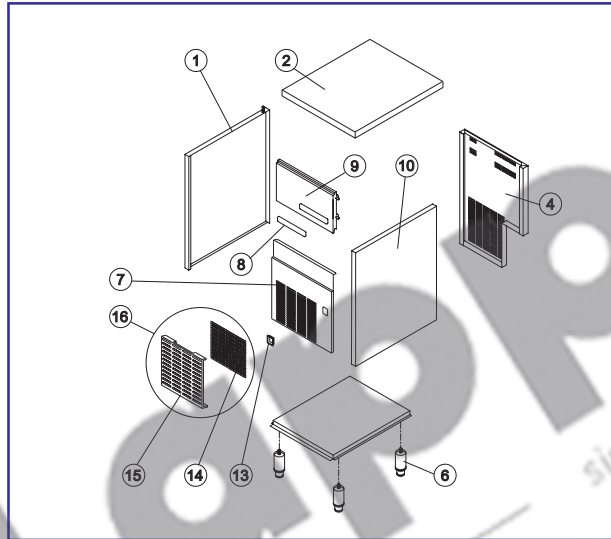
# SLF 190

# LIST OF THE EXPLODED VIEWS

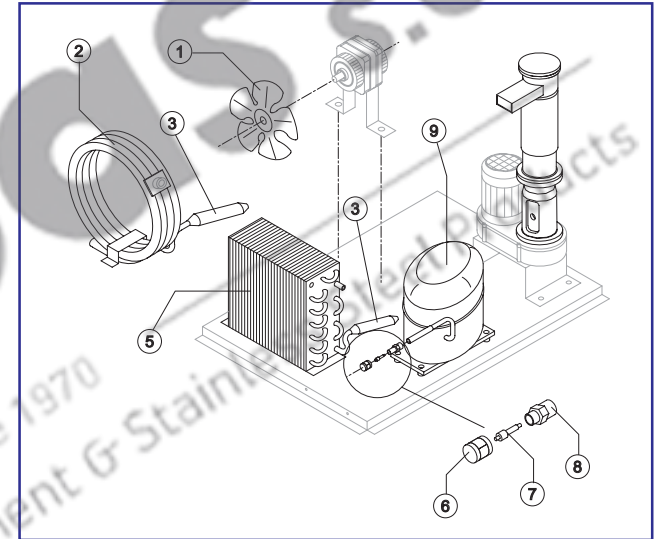
Rev. 12 - 20/01/2015



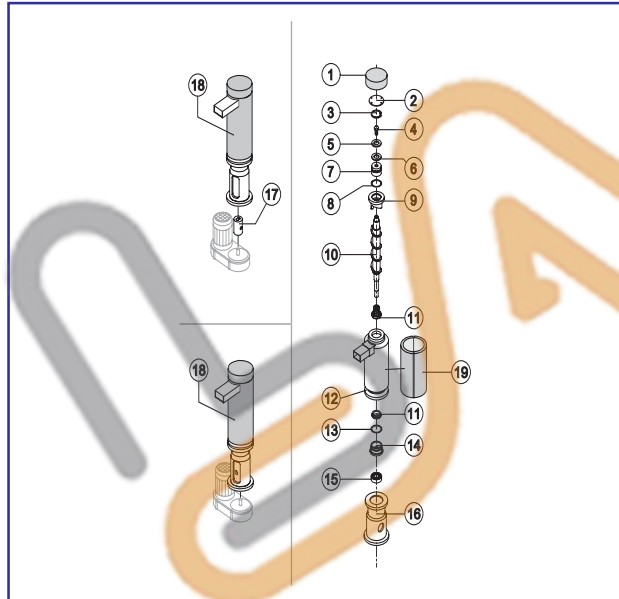
### SHELL ASSY



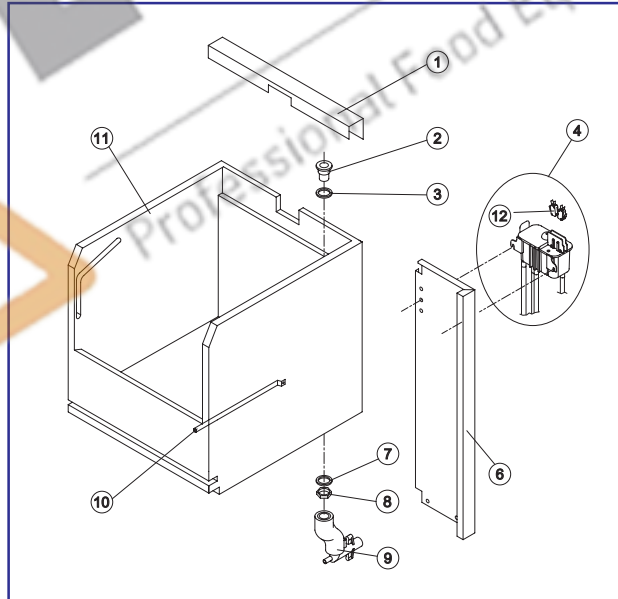
### COOLING SYSTEM



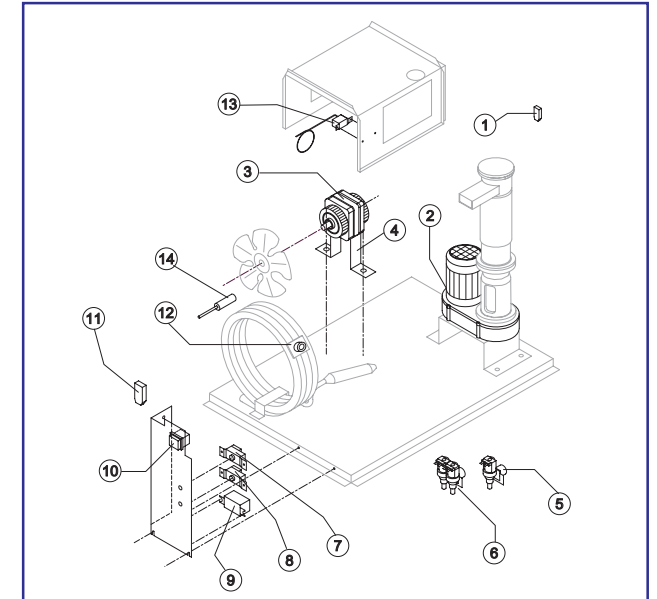
### EVAPORATOR

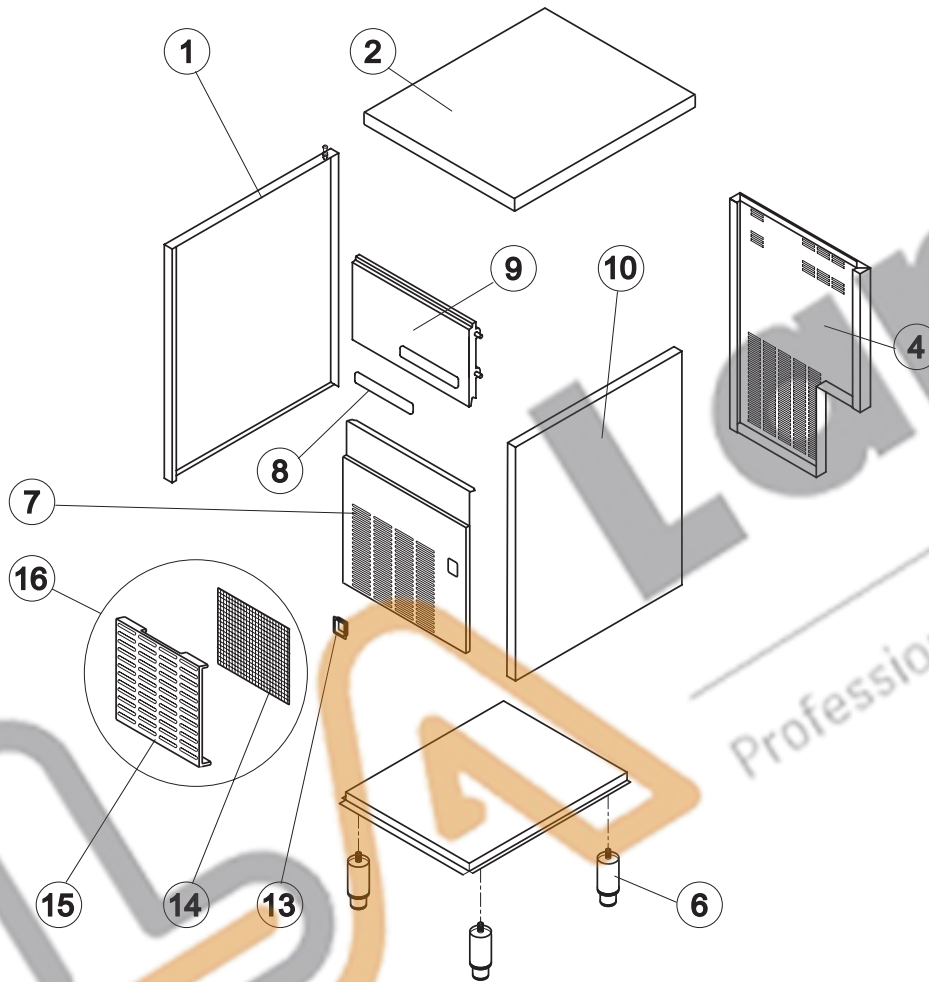


### HYDRAULIC CIRCUIT

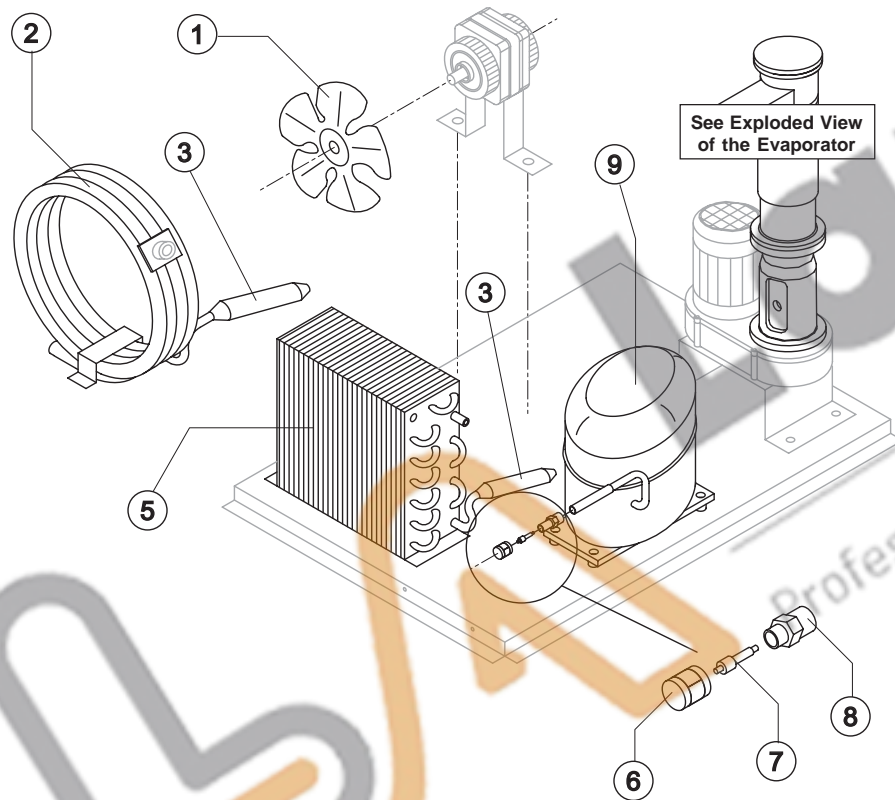


### ELECTRIC PARTS





Ref.	Spare Description	Code
1	Left SidePanel Assembly	NC22753
2	Top	NC221491
4	Grey Rear Panel	N21258
6	Foot Adjustable	N20613
7	Front Panel	NC221484
8	Resinate Logo	N241330
9	Door Assembly	NC10360
10	Right Side Panel Assembly	NC22752
13	On-Off switch Frame	N10696
14	Filter	N18243
15	Grid	N10697
16	Grid Assembly	NC10697



### Common Parts

Ref.	Spare Description	Code
3*	Molecular Drier	N14009
6*	Vacuum-Charge Valve Plug	N14006
7*	Vacuum-Charge Valve Device	N14005
8	Vacuum-Charge Valve Body	N14007
9	Compressor	See Table

### Parts for Air-Cooled Version Only

Ref.	Spare Description	Code
1	Sucking Fan	See Table
5	Air Condenser	N20283

### Parts for Water-Cooled Version Only

Ref.	Spare Description	Code
1	Sucking Fan	N10213
2	Water Condenser	N14057

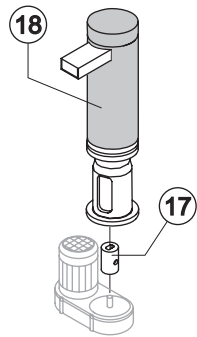
### Ref. 1 - Sucking Fan

Tension	Code
220/240V 50 Hz	N20096
220/230V 60 Hz	N20095
110/115V 60 Hz	N20095

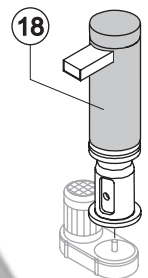
### Ref. 9 - Compressor

Tension	Code
220/240V 50 Hz	N23985
220/230V 60 Hz	N23494A
110/115V 60 Hz	N231036

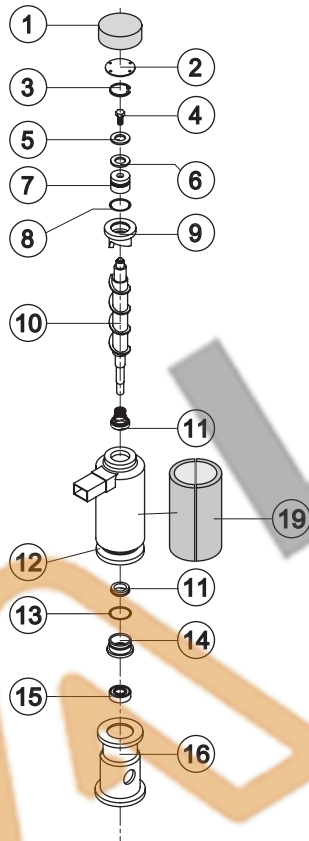
Rev. 12 - 20/01/2015



NC11140.



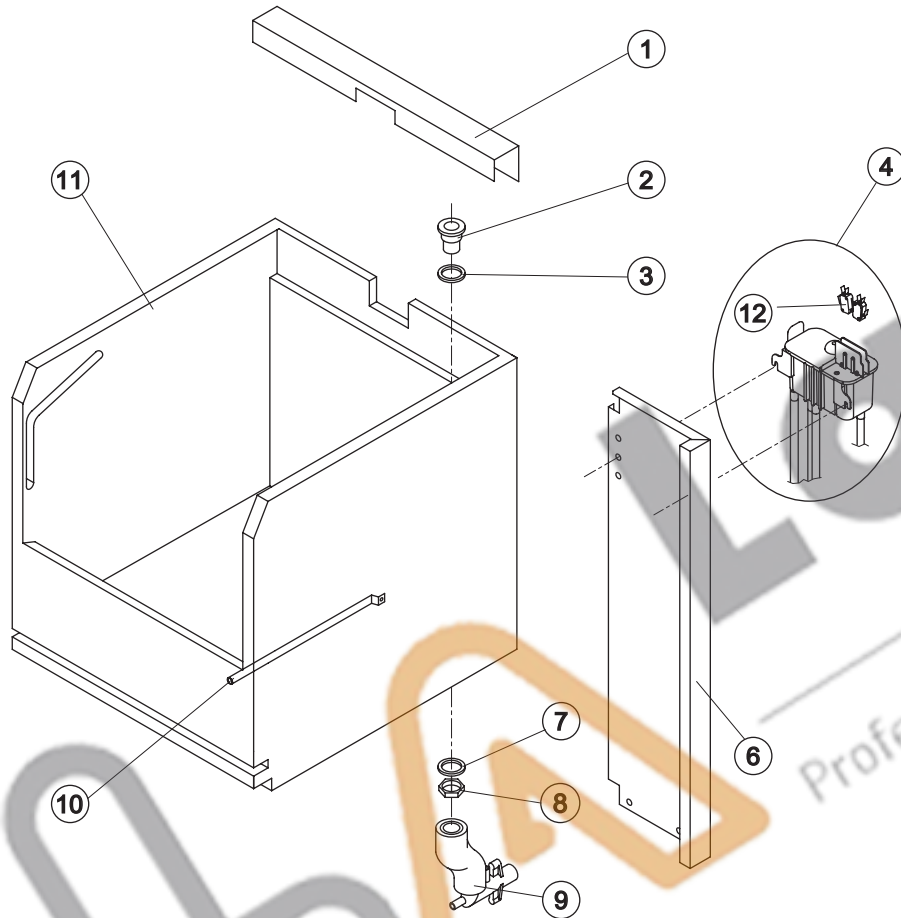
NKITNEVSLF



For Complete Evaporator,  
order NC11140.  
Till s/n. 238343 order  
code NKITNEVSLF.

Ref.	Spare Description (from s/n. 211898)	Code
1	Insulating Top Panel	N18170
2	Closing Disk	N22825
3	Seeger	N20043
4	Stainless Steel Screw	N20663
5	Shimming Disk	N22826
6	Self-Lubricating Disk	N20631
7	Stainless Steel Thrust Bearing	N20686
8	OR Gasket 3087	N20688
9	Ice Breaker	N20626
10	Auger	Current Version N20783
10	Auger with Screw	Till s/n. 238343 NC20783
11	Ceramic Seal	N20937
12	Insulated Evaporator	NC11107
13	OR Gasket 3162 NBR70	N20429
14	Reduction Ring	Current Version N20785
14	Reduction Ring	Till s/n. 238343 N20624
15	Stainless Steel Bearing	Current Version N20782
15	Stainless Steel Bearing	Till s/n. 238343 N20045
16	Flange	N20629
17	Joint	Current Version ND20784
17	Joint	Till s/n. 238343 ND20630
18	Evaporator Assy	Current Version NC11140
18	Evaporator Assy	Till s/n. 238343 NKITNEVSLF
19	Insulating Cap	N18171

Rev. 12 - 20/01/2015



### Common Parts

Ref.	Spare Description	Code	
1	Cover for Ice Exhaust	N22775	
2	Water Outlet Nipple	N10472	
3	Silicone Gasket	N13006	
4*	Double Switch Basin Assembly	NC10680	
6	Basin Support	N21246	
7	Semirigid Polyethylene Gasket	N13007	
8	Bin Discharge Nut	N10096	
10	Bulb- holder Pipe	Current Version	N20522
10	Bulb- holder Pipe	Till s/n. 445719	N20522
11	Insulated Bin Assembly	NC11125	
12	Microswitch	N23055	

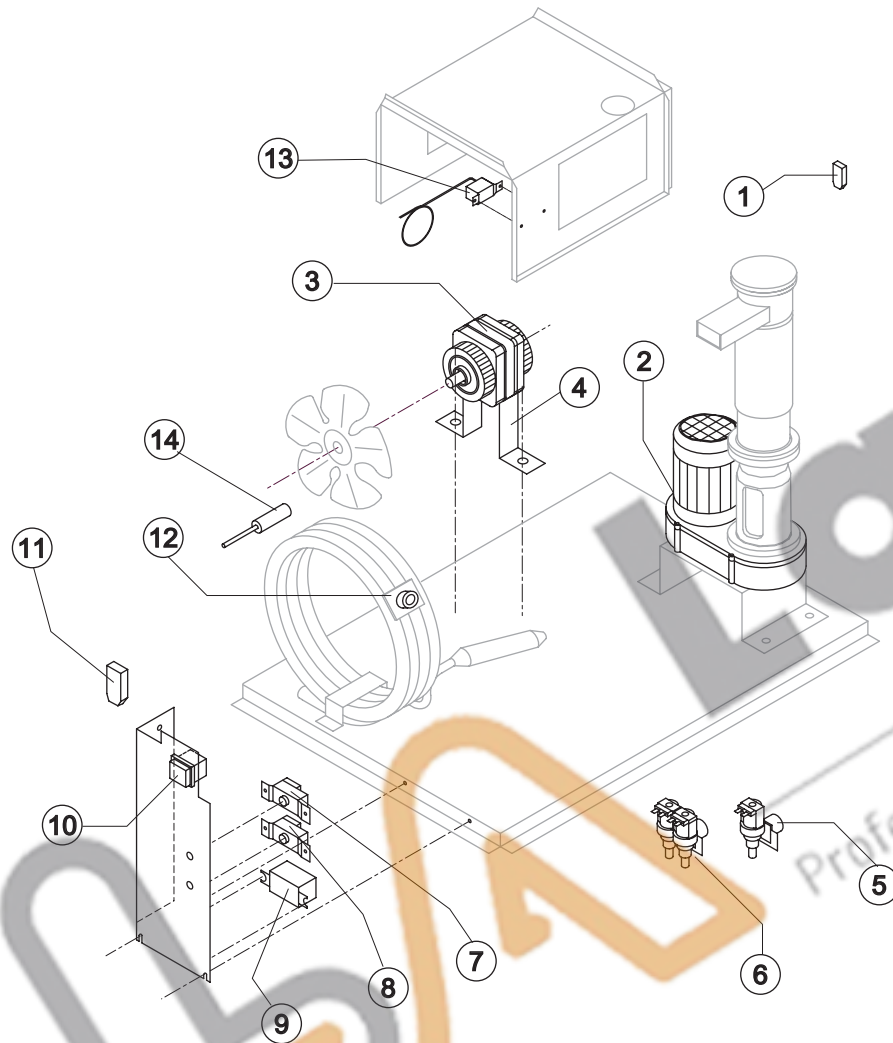
### Parts for Air-Cooled Version Only

Ref.	Spare Description	Code
9	Discharges Manifold	NC10366

### Parts for Water-Cooled Version Only

Ref.	Spare Description	Code
9	Discharges Manifold	NC10367

Rev. 12 - 20/01/2015



### Common Parts

Ref.	Spare Description	Code
1	Anti Radio Interference Filter 220/240V 50 Hz	NC23457
2	Gearmotor	See Table
3*	Fan Motor	See Table
7*	Bin Thermostat	NR23005
8*	Evaporator Thermostat	Till s/n. 613004
9*	Relay	See Table
10*	Green Light Switch (On-Off)	N23327
11	Anti Radio Interference Filter 220/240V 50 Hz	NC23459
13*	Condenser Pressure Switch	N23175
14	Low pressure safety switch	From s/n. 613005

### Parts for Air-Cooled Version Only

Ref.	Spare Description	Code
5*	1 Way - Water Inlet Valve	See Table

### Parts for Water-Cooled Version Only

Ref.	Spare Description	Code
4	Stirrup h.72	N23124
6*	2 Ways - Water Inlet Valve	See Table
12*	Safety Thermostat	NC23114

### Ref. 2 - Gearmotor

Tension	Current Version	Till s/n. 594455
220/240V 50 Hz	N231030	NR231030
220/230V 60 Hz	N231030	NR231030
110/115V 60 Hz	N231056	NR231056

### Ref. 3\* - Fan Motor

Tension	Code
220/240V 50 Hz	N231041
220/230V 60 Hz	N231041
110/115V 60 Hz	N23683

### Ref.5\* -1Way-Water Inlet Valve

Tension	Code
220/240V 50 Hz	N23115
220/230V 60 Hz	N23115
110/115V 60 Hz	N23410

### Ref.6\*-2Ways-Water Inlet Valve

Tension	Code
220/240V 50 Hz	N23116
220/230V 60 Hz	N23116
110/115V 60 Hz	N23322

### Ref. 9\* - Relay

Tension	Current Version	Till s/n.699275
220/240V 50 Hz	N23190	N23190
220/230V 60 Hz	N23190	N23190
110/115V 60 Hz	N231099	N23557