



GM 360

# LIST OF THE EXPLODED VIEWS



SHELL ASSY

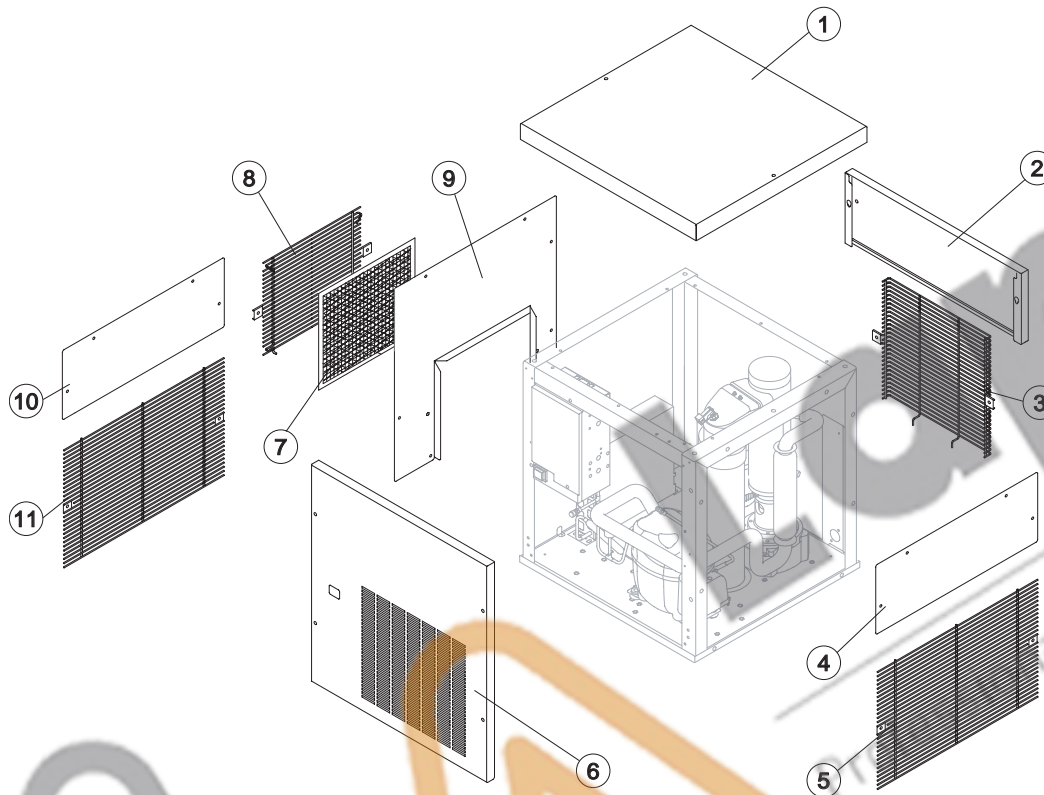
COOLING SYSTEM

EVAPORATOR

HYDRAULIC CIRCUIT

ELECTRIC PARTS

Rev. 01 - 16/01/2015



### Common Parts

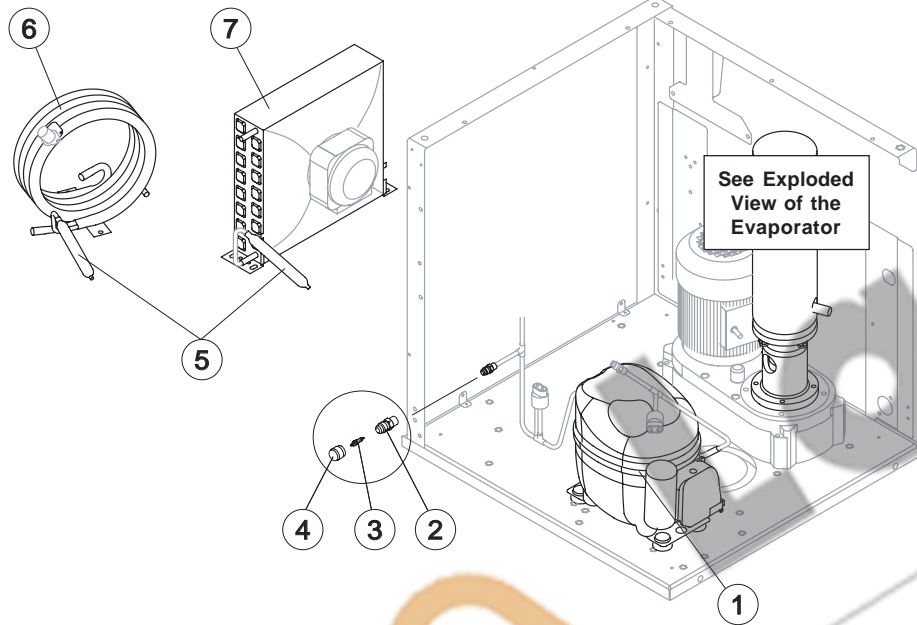
Ref.	Spare Description	Code
1	Top	N221518
2	Back Panel	N221514
3	Back Grill	ND12091
4	Right Side Panel	N221516
5	Right Side Grill	ND12092
6	Front Panel	N221512

### Parts for Air-Cooled Version Only

Ref.	Spare Description	Code
7*	Filter	N18247
8	Left Side Grill	ND12094
9	Left Side Panel	N221520

### Parts for Water-Cooled Version Only

Ref.	Spare Description	Code
10	Left Side Panel	N221516
11	Left Side Grill	ND12092



### Common Parts

Ref.	Spare Description	Code
1	Compressor	See Table
2	Vacuum-Charge Valve Body	N14007
3*	Vacuum-Charge Valve Device	N14005
4*	Vacuum-Charge Valve Plug	N14006
5*	Molecular Drier	N14009

### Parts for Air-Cooled Version Only

Ref.	Spare Description	Code
7	Air Condenser	N20558

### Parts for Water-Cooled Version Only

Ref.	Spare Description	Code
6	Water Condenser	N14014

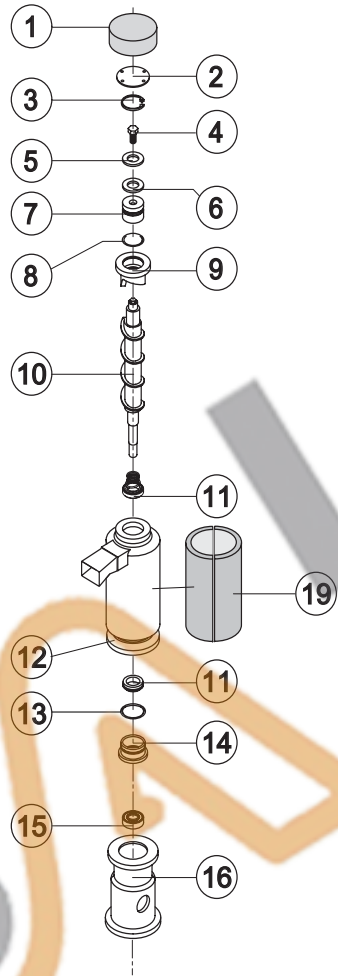
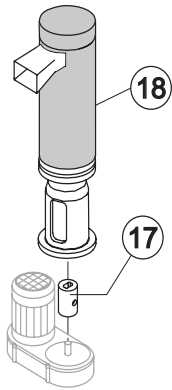
### Rif. 1 - Compressor

Voltage	Code
T11	N23832
T12	N23578A



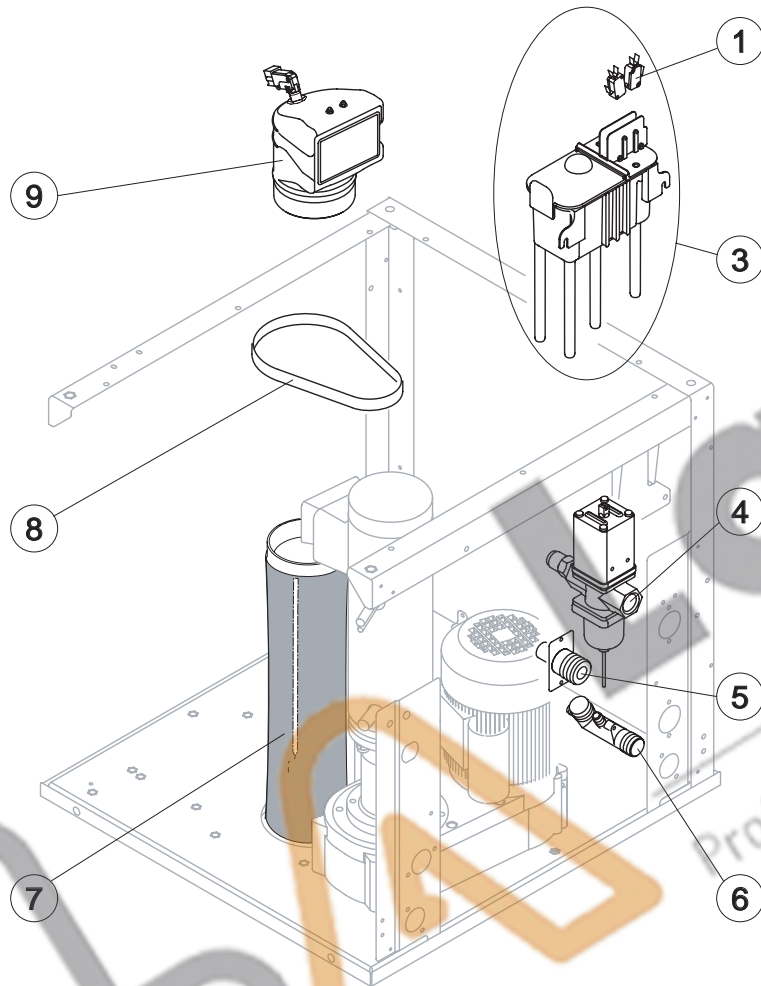
# GM 360

# EVAPORATOR



Ref.	Spare Description	Code
1	Insulating Cap	N18170
2	Closing Disk	N22825
3	Seeger	N20043
4	Stainless Steel Screw	N20663
5	Shimming Disk	N22826
6	Self-Lubricating Disk	N20631
7	Stainless Steel Thrust Bearing	N20686
8	OR Gasket 3087	N20688
9	Ice Breaker	N20626
10	Auger	N20783
11	Ceramic Seal	N20937
12	Insulated Evaporator	NC11107
13	OR Gasket 3162 NBR70	N20429
14	Reduction Ring	N20785
15	Stainless Steel Bearing	N20782
16	Flange	N20629
17	Joint	ND20784
18	Evaporator Assy	NC11152
19	Insulating Cap	N18171

Rev. 01 - 16/01/2015



### Common Parts

Ref.	Spare Description	Code
1	Microswitch	N23055
3*	Double Switch Basin Assembly	NC10684
5	Discharges Manifold	N10579
7	Ice Outlet Pipe with Bin Bulb Holder	NC10655
8	Locking Exhaust Strip	N25049
9*	Ice Exhaust with micro Assy	NC10585

### Parts for Water-Cooled Version Only

Ref.	Spare Description	Code
4	Water regulating valve assembly	NR20210
5	Drain manifold	N20984





### Common Parts

Ref.	Spare Description		Code
1	Anti Radio Interference Filter	T11	NC23457
2*	1 Way- Water Inlet Valve		N23115
3	Gearmotor		N231030
4	Evaporator pressure switch		N23909
5	HP Safety pressure switch		N23960
6*	Green Light Switch (On-Off)		N23327
8*	Bin Thermostat		NR231035
9*	Electronic Timer		N231033
10*	Relay		N23190

### Parts for Air-Cooled Version Only

Ref.	Spare Description		Code
7*	Condenser Pressure Switch		N23175
11	Anti Radio Interference Filter	T11	NC23459
12*	Fan Motor with Conveyor		N231006

