

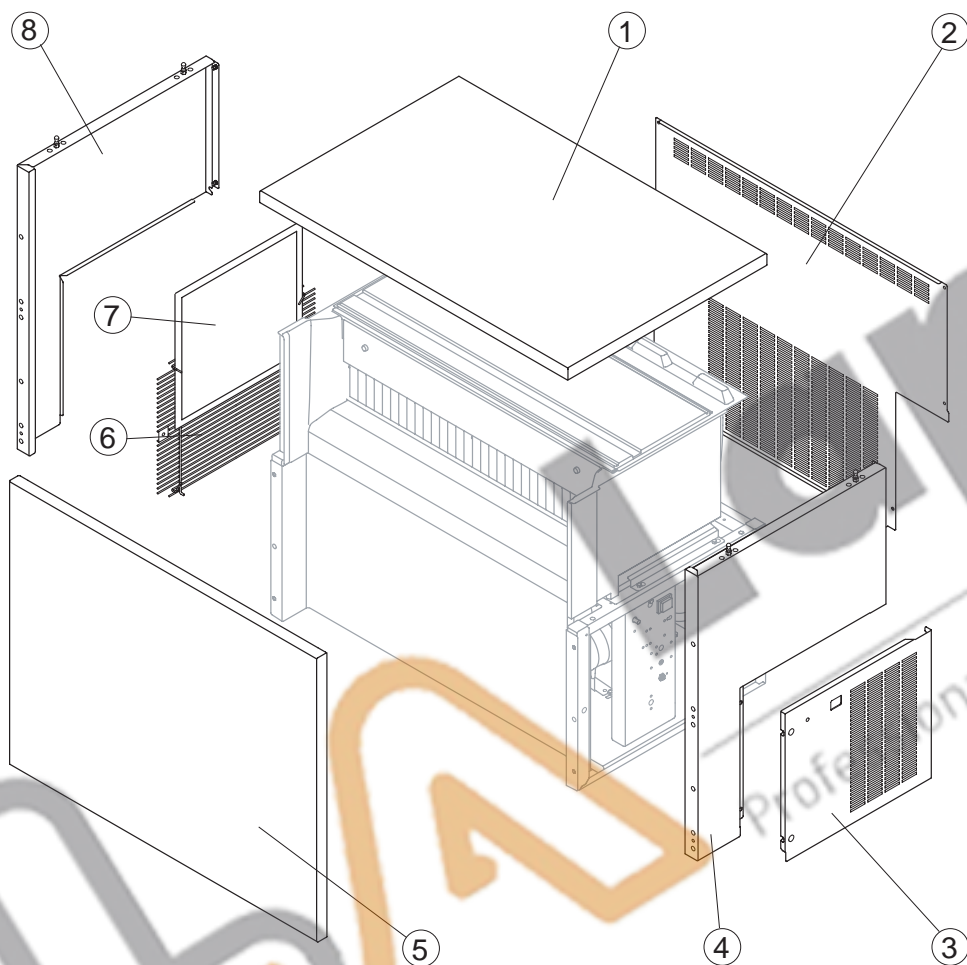


SHELL ASSY

COOLING SYSTEM

HYDRAULIC CIRCUIT

ELECTRIC PARTS



Common Parts

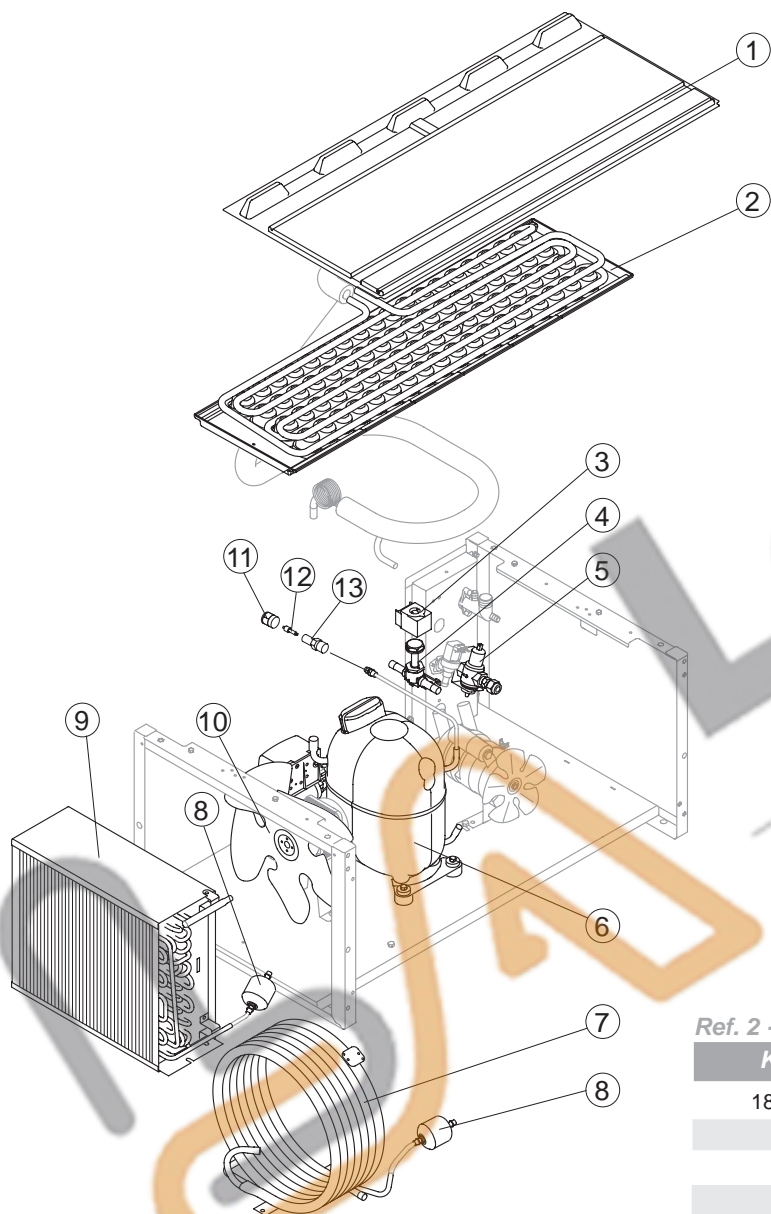
Ref.	Spare Description	Code
1	Top	NC221683
2	Rear Panel	N221692
3	Right Panel	N221685
4	Right Side Panel	NC221684
5	Front Panel	NC221681
6	Side Grid	ND12093
8	Left Side Panel	NC221686

Parts for Air-Cooled Version Only

Rif.	Descrizione Ricambio	Codice
7*	Filter	N18246



Rev.00 - 21/12/2015



Common Parts

Ref.	Spare Description	Code
1	Evaporator Cover Panel	N10454
2	Evaporator	See Table
3*	Hot Gas Valve Coil	See Table
4*	Hot Gas Valve Body	N20409
6	Compressor	See Table
8*	Solid Core Drier	N14084
11*	Vacuum-Charge Valve Plug	N14006
12*	Vacuum-Charge Valve Device	N14005
13	Vacuum-Charge Valve Body	N14007

Parts for Air-Cooled Version Only

Ref.	Spare Description	Code
9	Air Condenser	N20924
10	Sucking Fan	T11, T12 N20407
10	Sucking Fan	T13 N20671

Parts for Water-Cooled Version Only

Ref.	Spare Description	Code
5	Pressostatic Valve	NR20210
7	Water Condenser	N14081

Ref. 2 - Evaporator

Kind of Cube	Code
18 g. (Standard)	ND10214
33 g.	ND10092
13 g.	ND10126
42 g.	ND10477
60 g.	ND10555

Ref. 3* - Hot Gas Valve Coil

Voltage	Code
T11	N23091
T12	N23091
T13	N23256

Ref. 6 - Compressor

Voltage	Code
T11	N23878
T12	N23874
T13	N23586



Common Parts

Ref.	Spare Description	Code
1	Ice Cubes Slide	See Table
2*	Overflow Pipe	N10133
3*	OR Gasket for Overflow Pipe	N20233
4	Water Outlet Nipple	N10472
5	Silicone Gasket	N13006
6	Fitting of the Pump Suction/Delivery Pipes	NC10653
7	Gasket for Pump Suction/Delivery Pipes	N13143
8	Pump Suction/Delivery Pipe	NC13175275
9	Tubo Ingresso Acqua Evaporatore	NC13189
11	Discharges Manifold	NC10366
12	Bin Discharge Nut	N10096
13	Semirigid Polyethylene Gasket	N13007
14	Fitting Locking Ring	N10654
15*	Pump Suction Filter	N20005
16	Fixing Screw	N20009
17	Flags Support Assy	NC22134
18	Foamed Basin	NC11224
19	Sprayers Feeding Pipe Connection	NC13037
20*	Sprayers Bar Assembly	See Table
21	Sprayers Bar Plug	N10012
22	Sprayer	ND20002

Parts for Water-Cooled Version Only

Ref.	Spare Description	Code
10	Drain manifold with plate	N20984

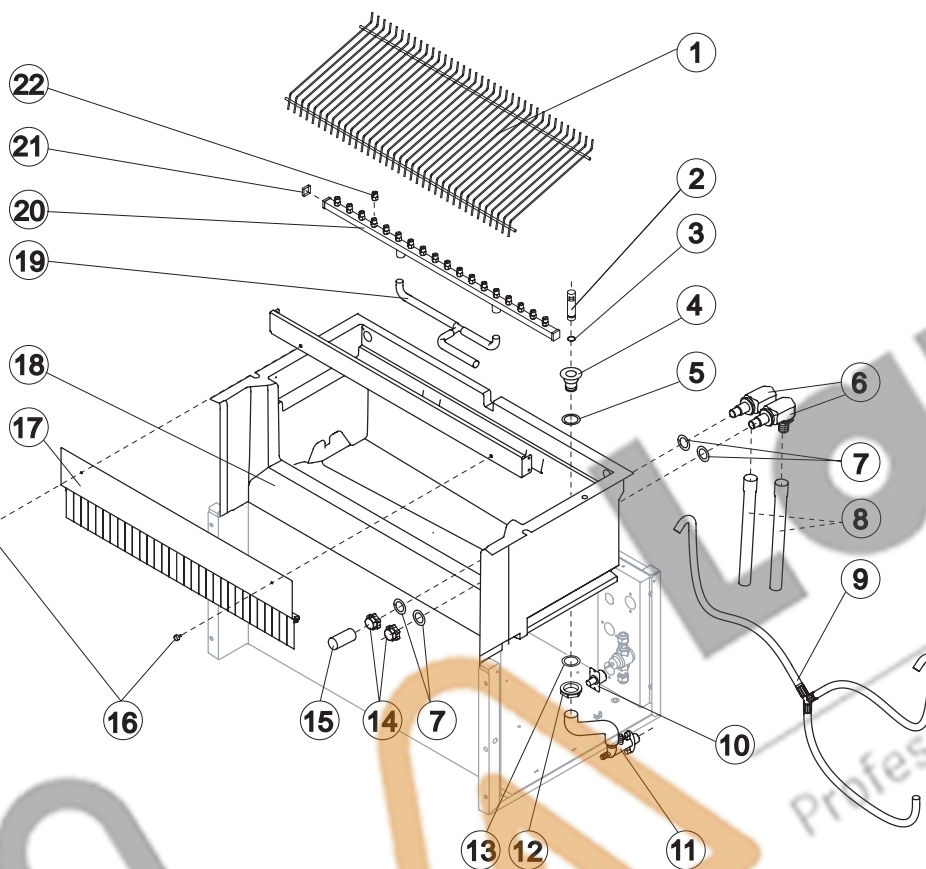
Ref. 1 - Ice Cube Slide

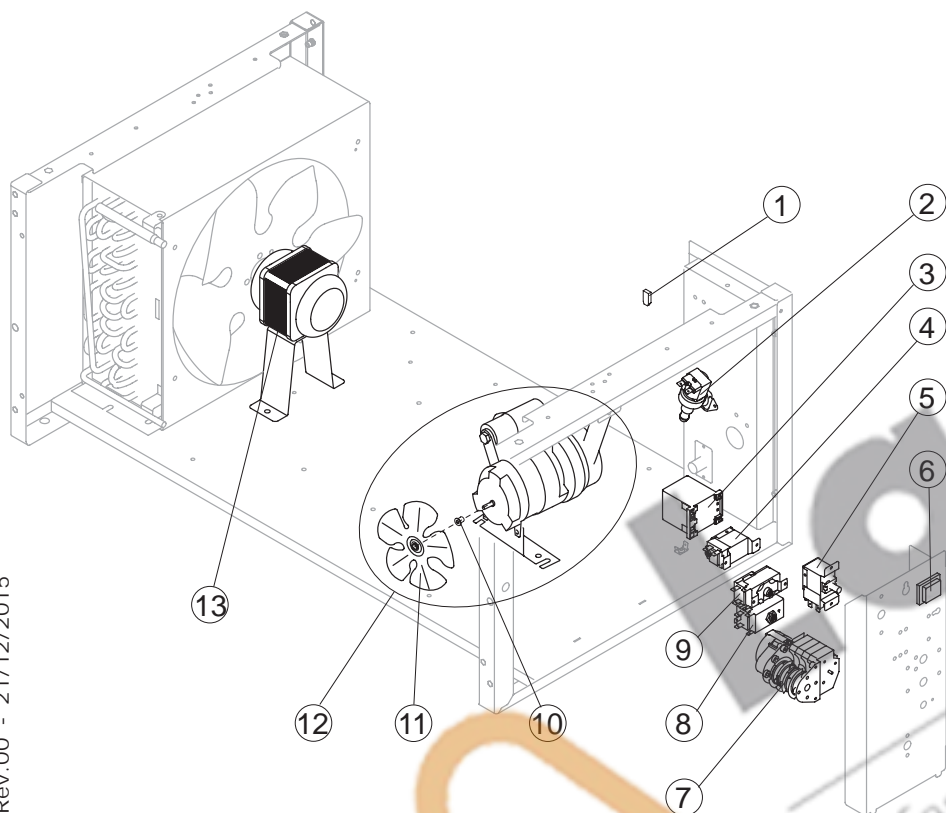
Kind of Cube	Code
18 g. (Standard)	ND12098
33 g.	ND12033
13 g.	ND12040
42 g.	ND12033
60 g.	ND12084

Ref. 20* - Sprayers Bar Assy

Kind of Cube	Code
18 g. (Standard)	NC20144
33 g.	NC20157
13 g.	NC20200
42 g.	NC20157
60 g.	NC20941

Rev.00 - 21/12/2015





Common Parts

Ref.	Spare Description	Code
2*	1 Way- Water Inlet Valve	See Table
3*	Teleruttore	See Table
5	Pressostato di Sicurezza	N23342
6*	Interruttore luminoso verde (On-Off)	N23327
7*	Timer	See Table
8*	Termostato Contenitore	NR23421
9*	Termostato Evaporatore	NR23591
10	Mozzo Fissaggio Ventola	N10014
11	Ventola Aspirante	N10213
12*	Assieme Pompa	See Table

Parts for Air-Cooled Version Only

Ref.	Spare Description	Code
1	Filtro Anti-Radiodisturbo	Solo T11 NC23459
4*	Pressostato Condensatore	N23175
13*	Motore Ventilatore	See Table

Ref. 2* - 1 Way- Water Inlet

Voltage	Cube 18g/13g	Cube 33g	Cube 42g/60g
T11	N23220	N23220	N23787
T12	N23220	N23787	N23787
T13	N23281	N23789	N23789

Ref. 3* - Contactor

Voltage	Code
T11	N23594
T12	N23594
T13	N231088

Ref. 7* - Timer

Voltage	Cube18g	Cube33g	Cube13g	Cube42g	Cube60g
T11	N23247	N23248	N23472	N23780	N23922
T12	N231082	N231080	N231077	N231080	-
T13	N23833	N23786	N23258	N23786	-

Ref. 10* - Pump Assy

Voltage	Code
T11	NC23462
T12	NC23462
T13	NC23663

Ref. 11* - Fan Motor

Voltage	Code
T11	N23121
T12	N23121
T13	N23621