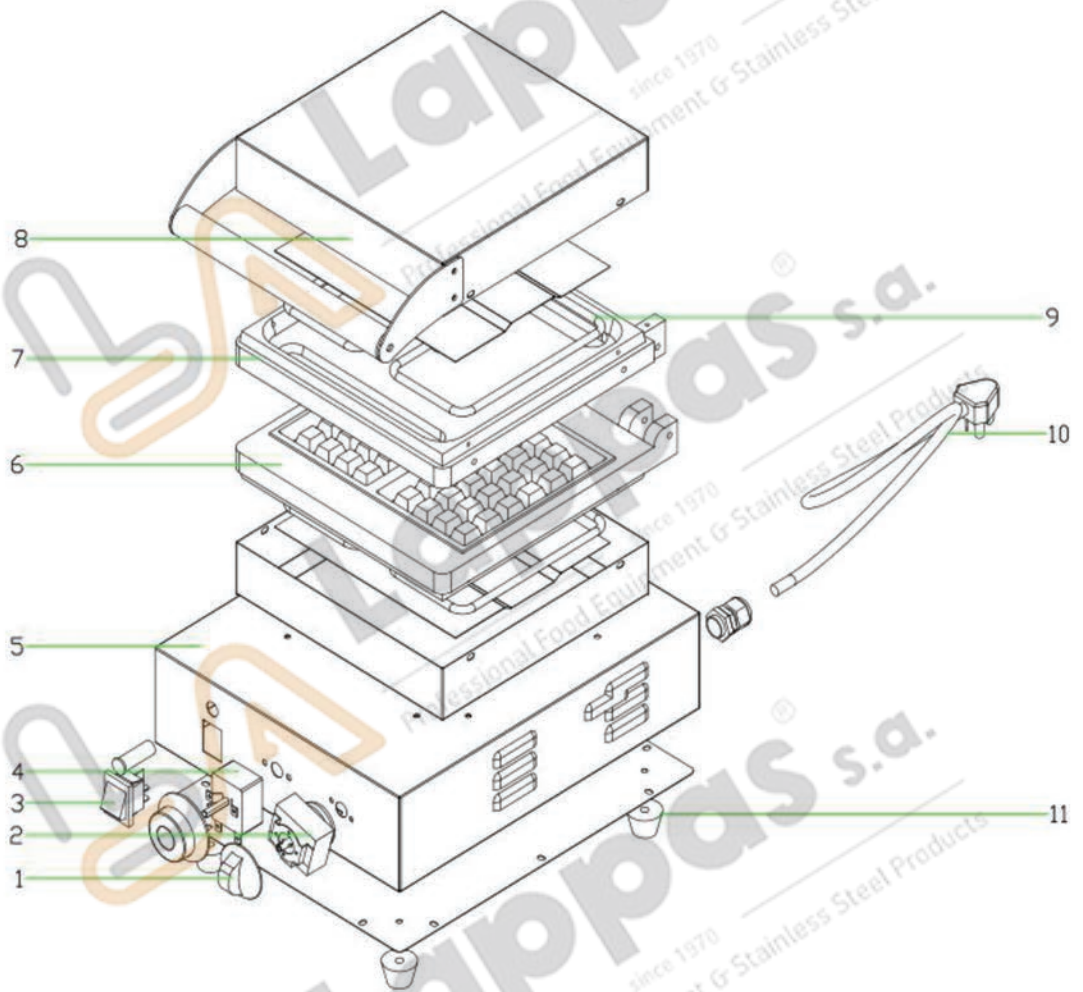


# Explosive drawing LPF-1A



## Part list:

1.Knob 2.Timer 3.Switch 4.Thermostat 5.Body

6.Upper Mold 7.Down Mold 8.Lid 9.Heating element

10.Cable 11.Feet