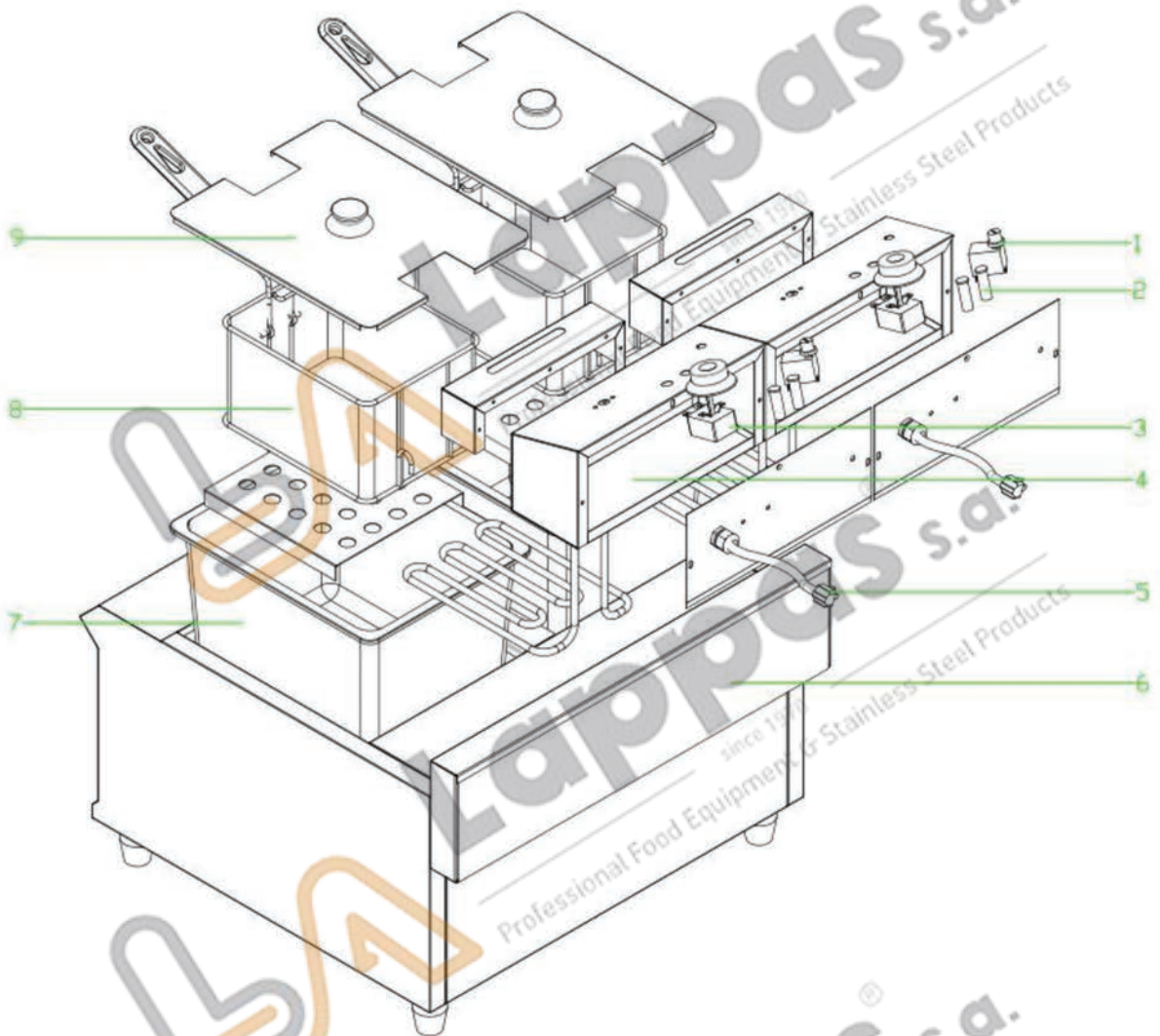


# Explosive drawing LP902



## Part list:

1. Temperature limiter
2. Indicator light
3. Thermostat
4. Electric Body Assembly
5. Cable
6. Body Assembly
7. Pan
8. Basket
9. Lid