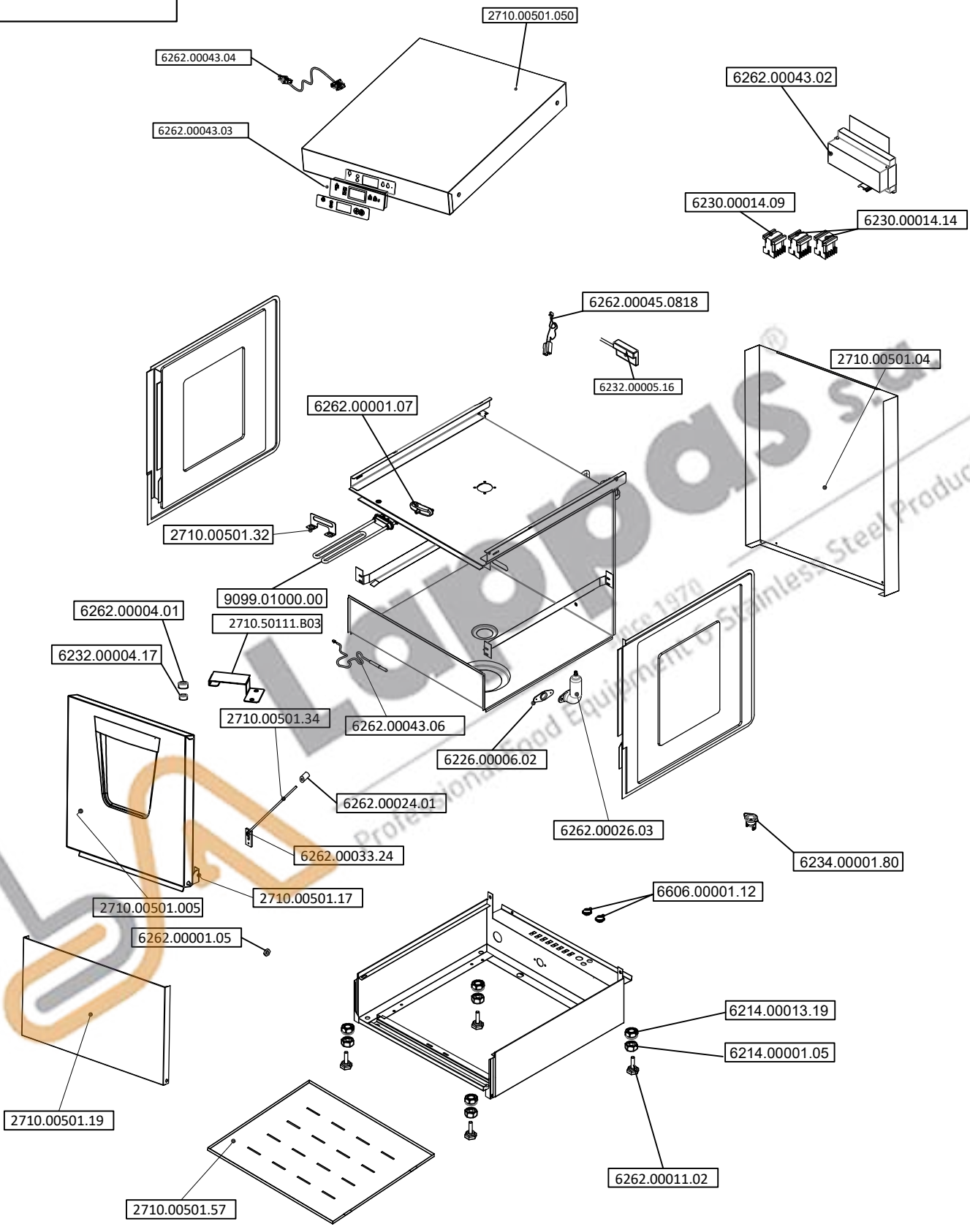
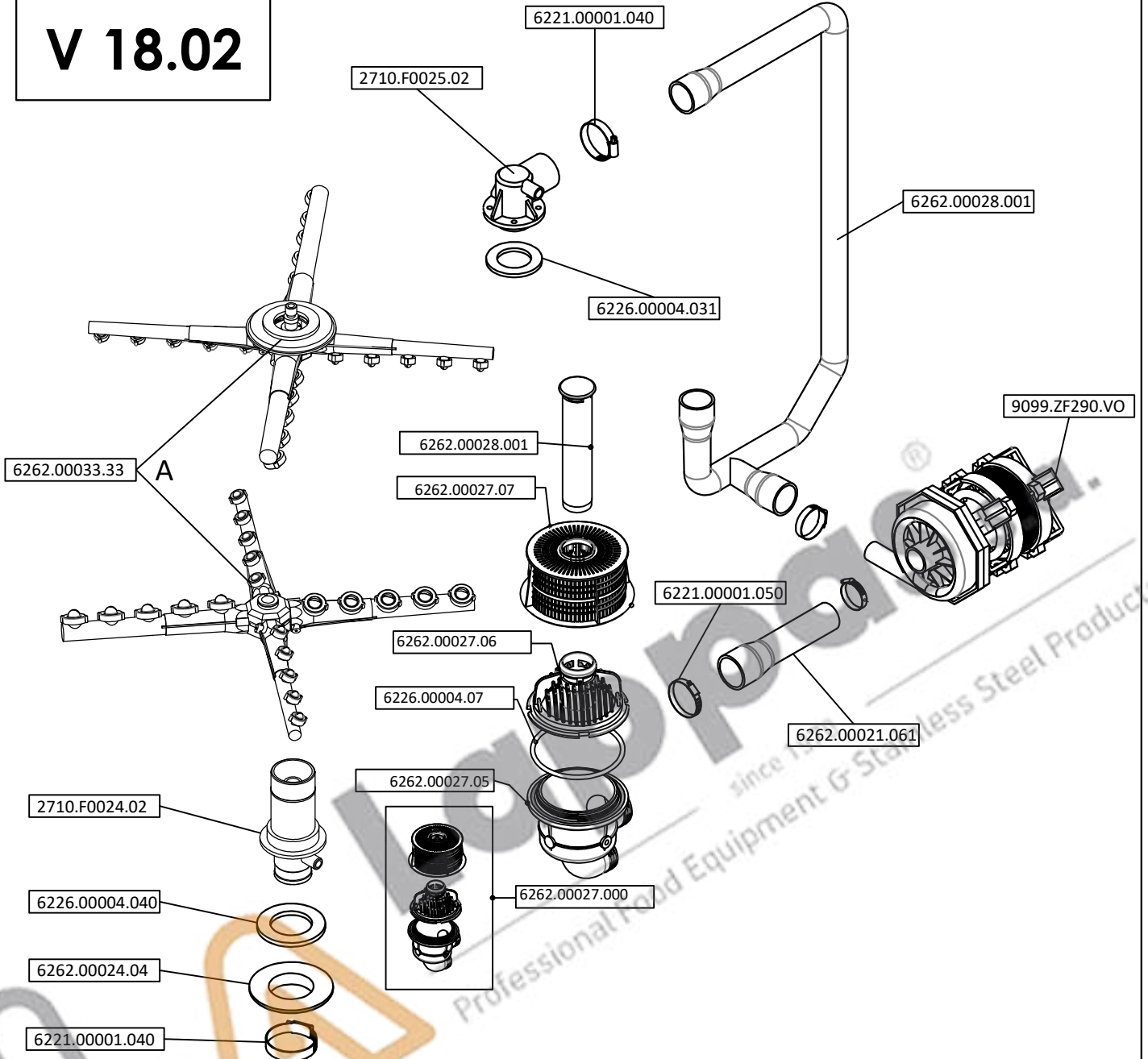


V 18.02

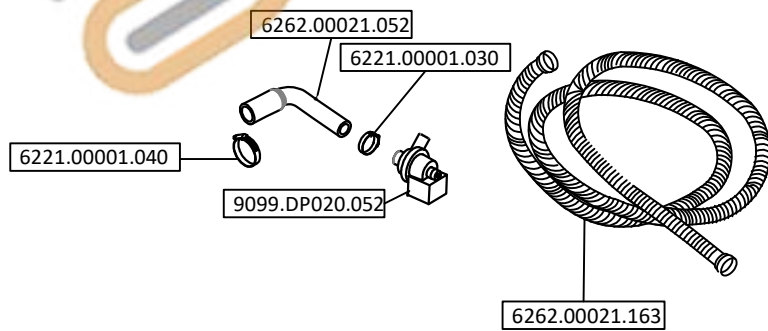


R&D	NAME	SIGNATURE	DATE	MATERIAL	VERSION NO
DRAWING	S. GURCU				V 18.02
CONTROL	S. GURCU				
CONSENT	M.HACI				
GROUP NAME: OBM 50D PDRT BODY GROUP EXPLODED DRAWING					
MEASUREMENTS MILIMETER					

V 18.02

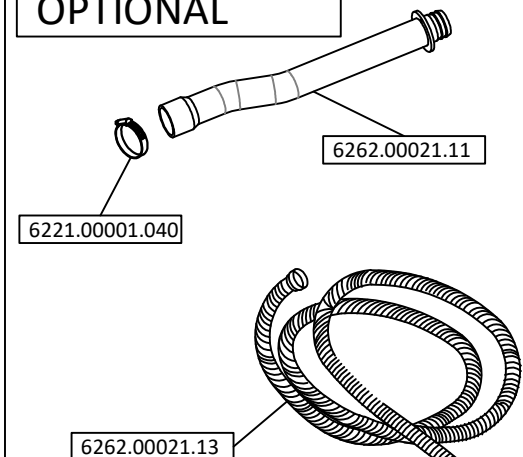


OPTIONAL



WITH DRAIN PUMP

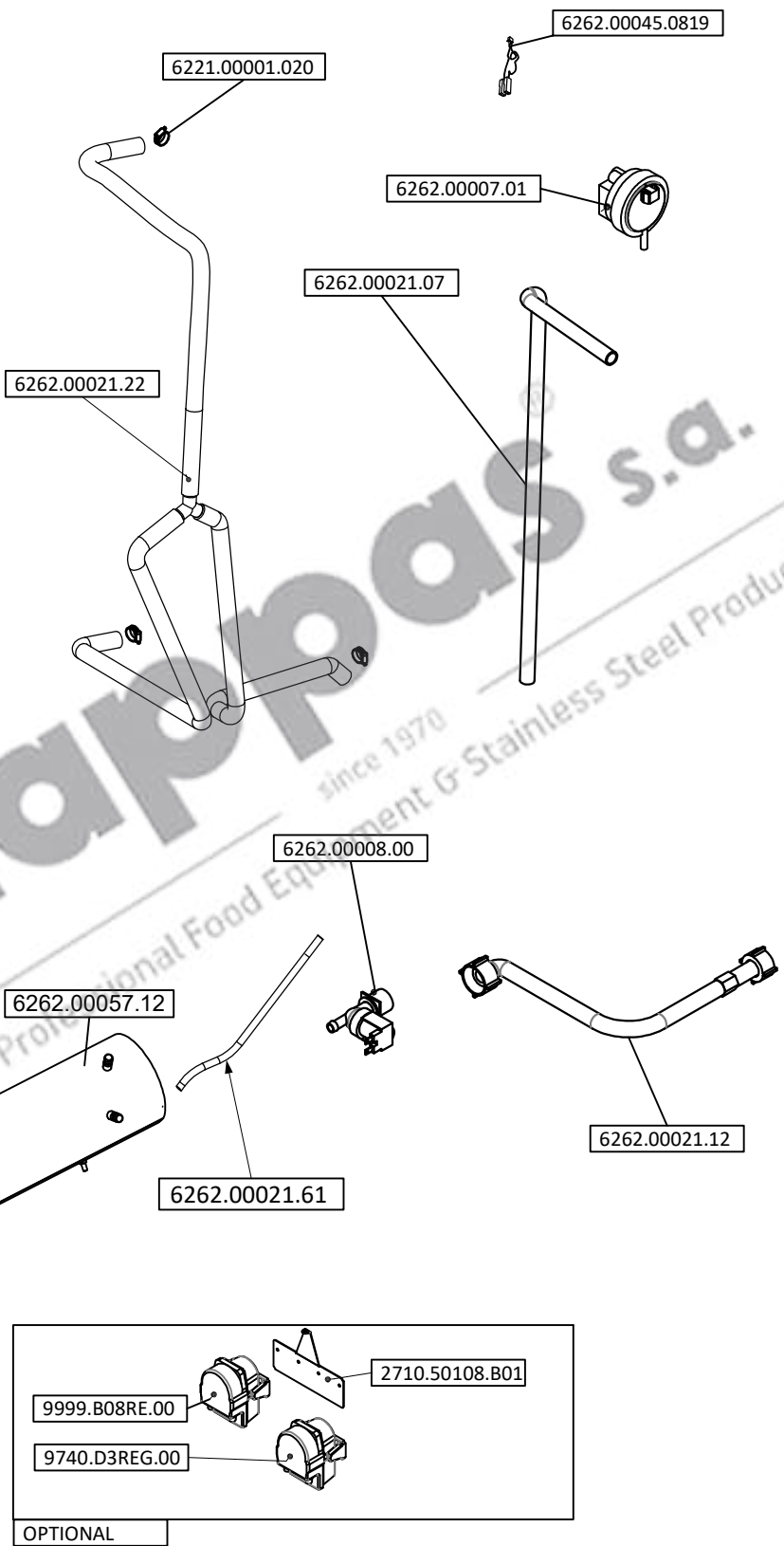
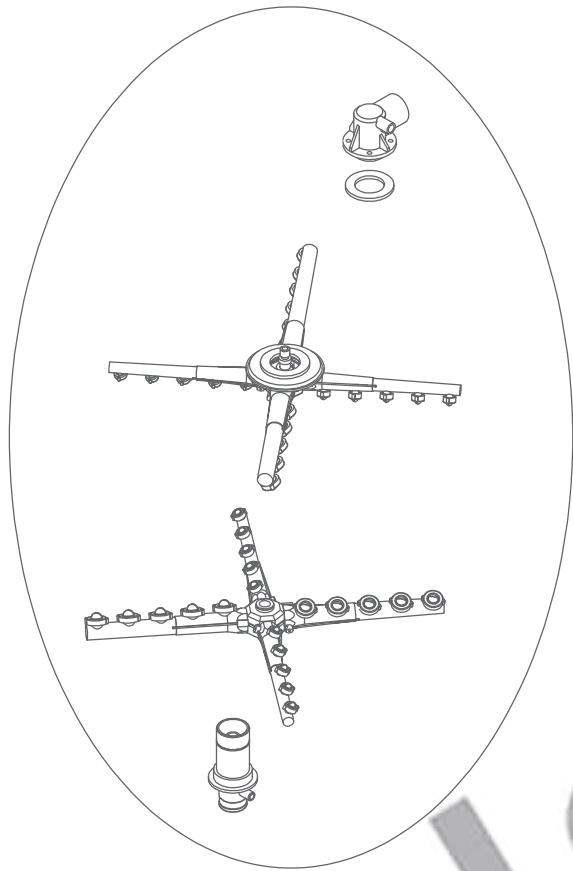
OPTIONAL



WITHOUT DRAIN PUMP

R&D	NAME	SIGNATURE	DATE	MATERIAL	VERSION NO
DRAWING	S. GURCU		30.04.2019		V 18.02
CONTROL	S. GURCU		30.04.2019		
CONSENT	M.HACI		30.04.2019		
GROUP NAME: OBM 50D PDRT WASHING AND RINSING GROUPS EXPLODED DRAWING					
MEASUREMENTS MILIMETER					

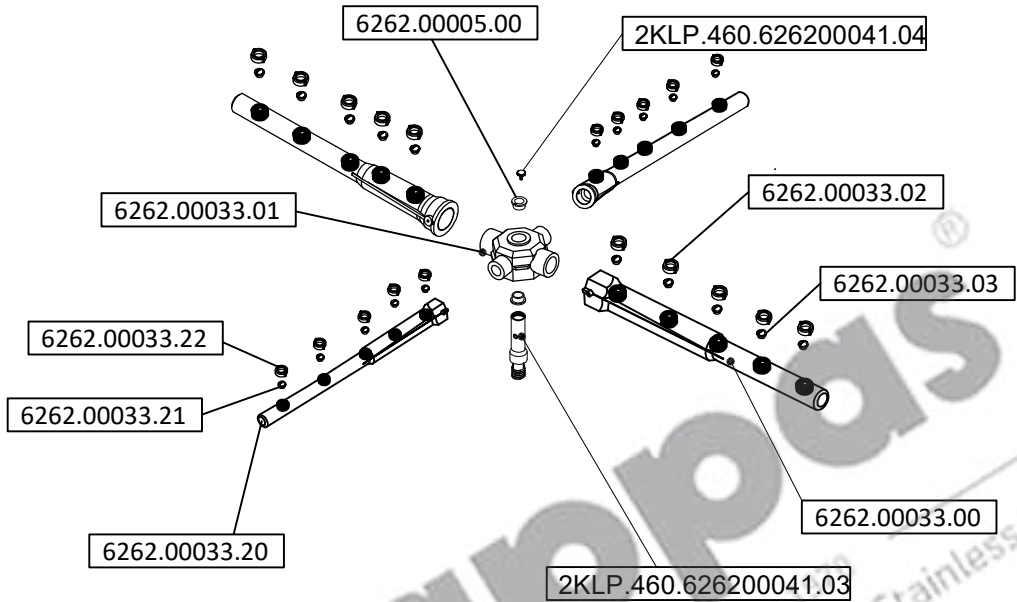
V 18.02



R&D	NAME	SIGNATURE	DATE	MATERIAL	VERSION NO
DRAWING	S. GURCU		30.04.2019		V 18.02
CONTROL	S. GURCU		30.04.2019		
CONSENT	M.HACI		30.04.2019		GROUP NAME: OBM 50D PDRT RINSING GROUPS EXPLODED DRAWING
MEASUREMENTS MILIMETER					

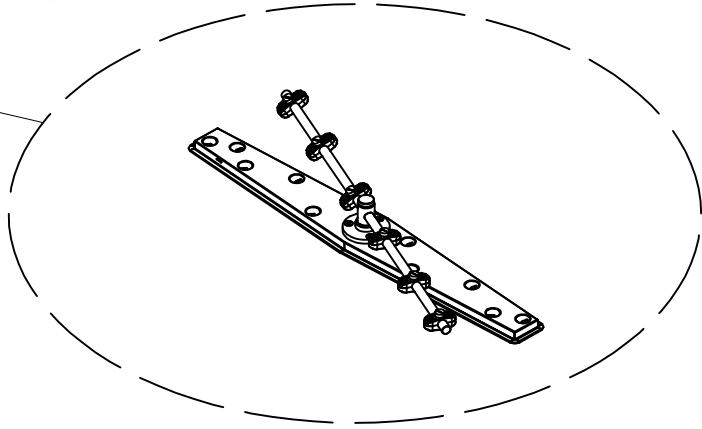
V 18.02

DETAIL A



OPTIONAL STAINLESS STEEL WASHING-RINSING ARMS

6262.00030.06



R&D	NAME	SIGNATURE	DATE	MATERIAL	VERSION NO
DRAWING	S.GURCU		30.04.2019	V 18.02	PART NAME: OBM 50D PDRT DETAILS EXPLODED VIEW
CONTROL	S.GURCU		30.04.2019		
CONSENT	M.HACI		30.04.2019		
	MEASUREMENTS MM.		WEIGHT (gr.)	REVISION	SCALE
					PIC. NO

OBM 50D PDRT BODY GROUP ITEMS	
Item Code	Designation
2710.00501.050	Top cover
2710.00501.005	Door Group
2710.00501.04	Back panel
2710.00501.19	Lower Front panel
2710.00501.57	Floor panel
6262.00033.24	Front lid plastic stopper
2710.00501.17	Metal hinge
2710.00501.34	Metal rod
6262.00024.01	Metal rod stopper
2710.00501.32	Resistance holding plate
6262.00001.07	Kit cover lock
6232.00004.17	Magnet
6262.00004.01	Magnet Cap
6262.00011.02	Adjustable feet
6214.00013.19	M10 nylon insert lock nut
6214.00001.05	M10 nut
6262.00026.03	Air trap
6226.00006.02	Air trap seal
9099.01000.00	Tank heating resistance
6262.00001.05	Door hinge metal part
6262.00043.04	Data cable
6262.00043.03	Digital screen
6262.00043.06	Tank prob
6230.00014.09	Contactora (DILEM 10)
6230.00014.14	Contactora (DILEM 12-01)
6232.00005.16	Magnetic switch
6262.00045.0818	Magnetic switch connection cable
6262.00043.02	Power box
6606.00001.12	Grommet rubber Ø8x16
6234.00001.80	Tank safety thermostat
2710.50111.B03	Heat Transfer Plate

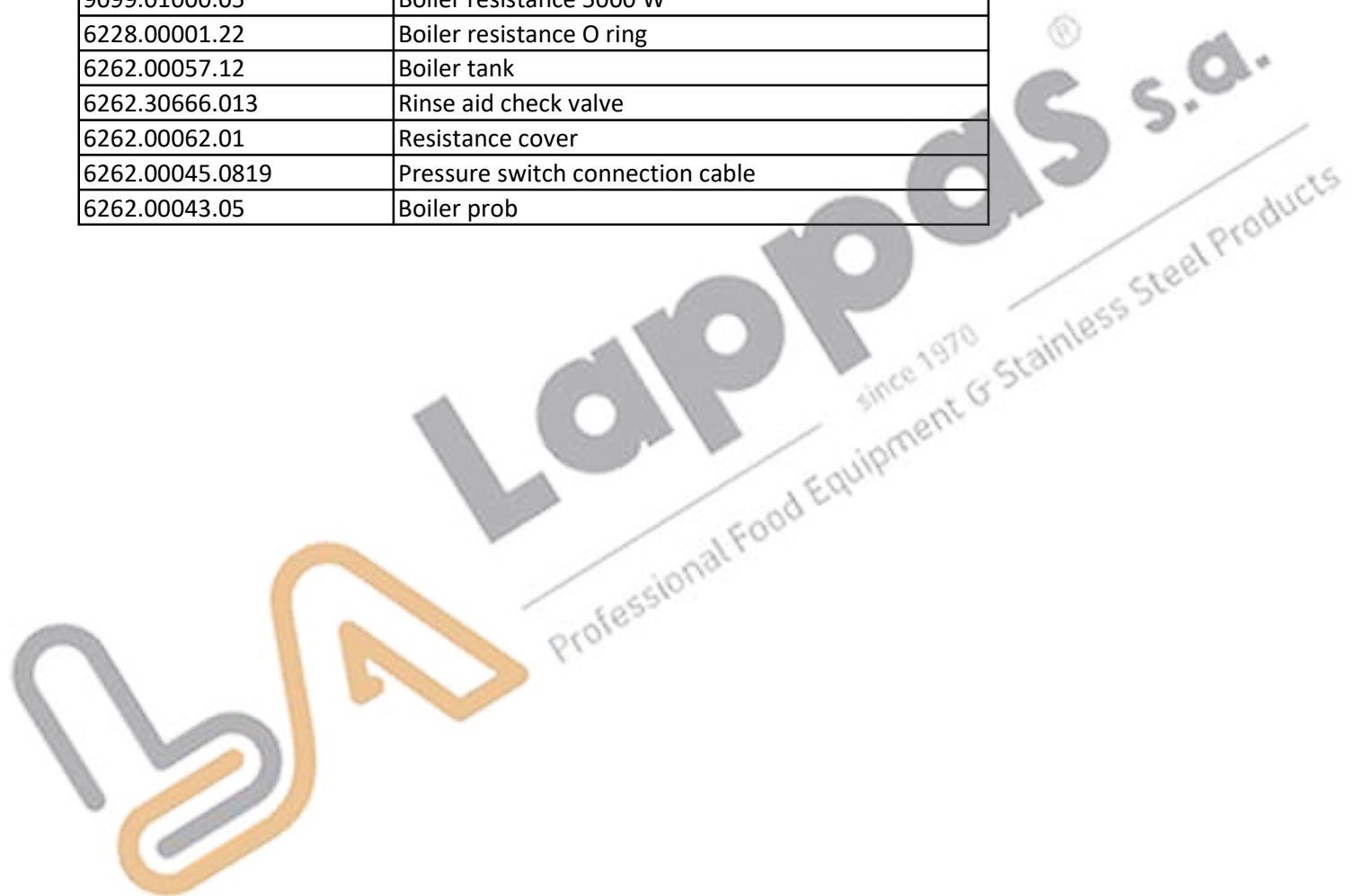


OBM 50D PDRT WASHING GROUP ITEMS	
Item Code	Designation
2710.F0024.02	Water inlet bottom
6221.00001.040	Hose clamp 1
6221.00001.050	Hose clamp 2
6226.00004.040	Water inlet bottom seal
6262.00024.04	Water inlet bottom nut
6226.00004.07	Filter seal
6262.00027.000	Filter cpl.
6226.00028.001	overflow pipe
6262.00027.07	round filters
6262.00027.06	intake body nut
6262.00027.05	intake body
6226.00004.07	gasket EPDM
2710.F0025.02	Water inlet elbow top
6226.00004.031	Water inlet elbow top seal
6262.00028.001	Washing hose
6262.00033.33	Washing&Rinsing plastic arms
6262.00021.061	Reducing hose
6262.00021.163	Drain hose
6262.00021.13	Drain hose
6262.00021.11	Drain outlet hose
9099.ZF290.V0	Washing pump
9099.DP020.052	Drain pump
6262.00021.052	Drain pump connection hose
6221.00001.030	Hose clamp 3



Lappas s.a.
 Professional Food Equipment & Stainless Steel Products
 Since 1970

OBM 50D PDRT RINSING GROUP ITEMS	
Item Code	Designation
6262.00021.22	Rinsing hose
6221.00001.020	Hose clamp 3
6262.00007.01	Pressure switch
6262.00021.07	Pressure switch connection hose
6262.00008.00	Water inlet valve
6262.00021.12	Water inlet hose
6262.00021.61	Water inlet valve connection hose
2710.50108.B01	Detergent&rinsing aid dispenser connection plate
9740.D3REG.00	Detergent dispenser
9999.B08RE.00	Rinsing aid dispenser
9099.01000.05	Boiler resistance 5000 W
6228.00001.22	Boiler resistance O ring
6262.00057.12	Boiler tank
6262.30666.013	Rinsing aid check valve
6262.00062.01	Resistance cover
6262.00045.0819	Pressure switch connection cable
6262.00043.05	Boiler prob



OBM 50D PDRT DETAILS ITEMS	
Item Code	Designation
6262.00005.00	Collector plastic part
6262.00033.00	Washing arm (without nut&nozzle)
6262.00033.01	Collector (washing&rinsing)
6262.00033.02	Washing arm nut
6262.00033.03	Washing arm nozzle
6262.00033.20	Rinsing arm (without nut&nozzle)
6262.00033.21	Rinsing arm nozzle
6262.00033.22	Rinsing arm nut
6262.00030.06	Stainless steel washing&rinsing arms (optional)
2KLP.460.626200041.03	Navel axle
2KLP.460.626200041.04	Screw

